

MVP12, 6XM12, 5POLE, PLUG. CAP SPT

Plug. cap, field-wireable via spring terminals

6-way, 5-pole

Spring clamp plug-in terminals

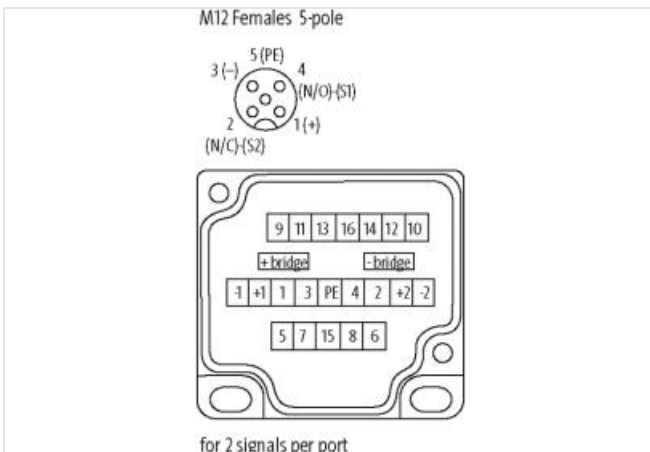
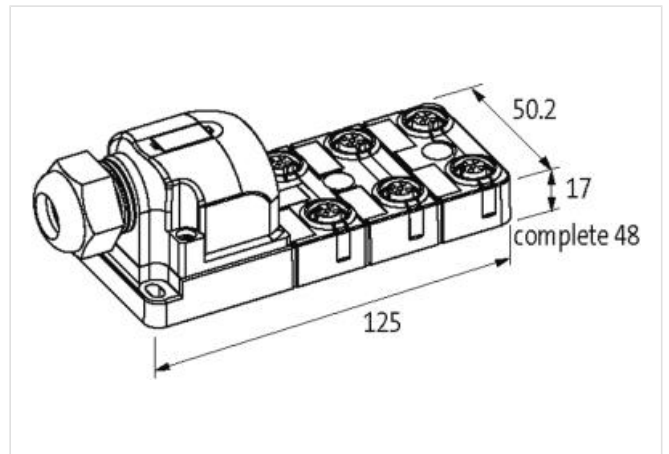
Potential separation as option

Plastic housings with good resistance against chemicals and oils.

The resistance to aggressive media should be individually tested for your application. Further details on request.

[Link to Product](#)

Illustration



Product may differ from Image



Technical Data

Operating voltage	24 V DC
Operating current per contact	max. 4 A
Locking of ports	Screw thread (M12x1 mm)
Connection	Spring clamp plug-in terminals: max. 1.5 mm ² (AWG 16)

Protection	IP67 inserted and tightened (EN 60529)
Housing	Plastic, flame retardant
Signal per port	2
Total current	max. 2× 8 A

General data

Temperature range	-20...+80 °C
Dimensions H×W×D	125×50.2×17 mm

Contact Layout

PIN 1	(+)
PIN 2	(NC)/(S2)
PIN 3	(-)
PIN 4	(NO)/(S1)
PIN 5	(Earth)
LED (green): Power / LED (yellow): (S1/S2)	