

**Mini (7/8) 5 pole, Female 0° w/ Cable**

PVC 5x16AWG ye UL/CSA, STOOW

Female straight

7/8" (5-pole)

Power cable

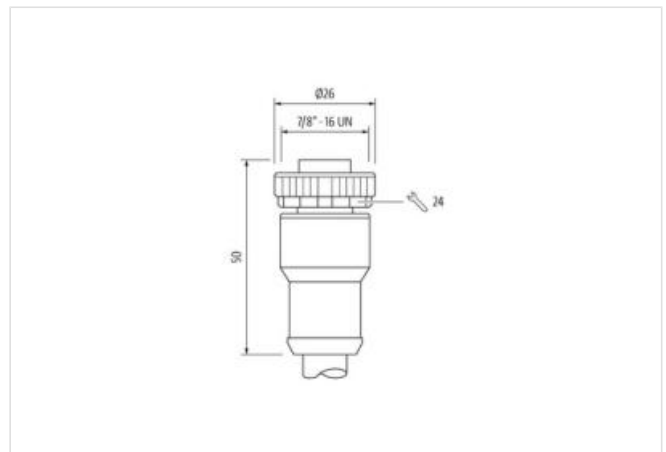
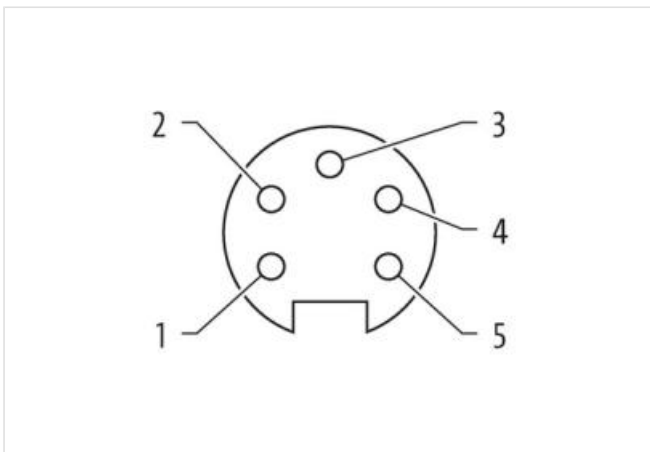
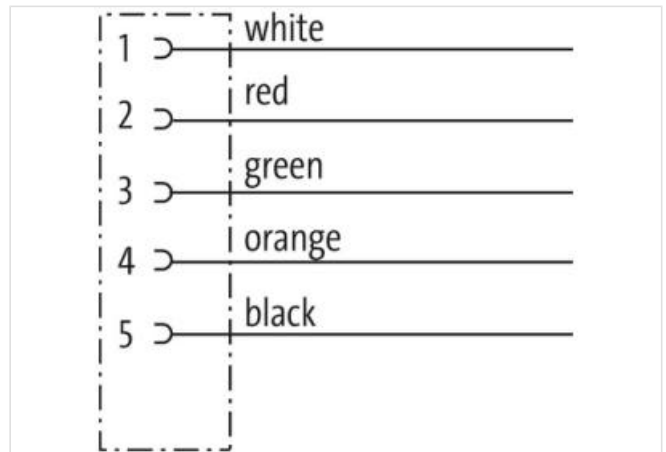
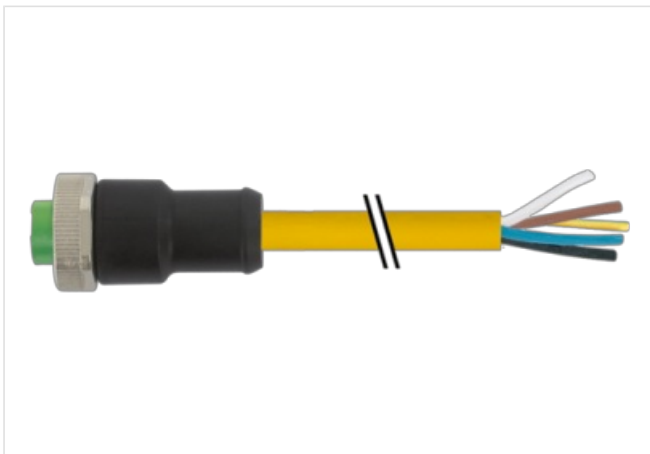
USA

without cable sleeves

Further cable lengths on request.

Plastic housings with good resistance against chemicals and oils.

The resistance to aggressive media should be individually tested for your application. Further details on request.

**[Linkki tuotteeseen](#)****Kuvat**

Tuote voi erota kuvassa olevasta



Cable length

5 m

**Side 1**

|   |                   |
|---|-------------------|
| Tightening torque                         | 1,5 Nm            |
| Mounting method                           | inserted, screwed |
| Family construction form                  | 7/8"              |
| Thread                                    | 7/8"              |
| suitable for corrugated tube (internal Ø) | 17,8 mm           |
| No. of poles                              | 5                 |
| Width across flats                        | SW24              |

#### Kaupalliset tiedot

|             |               |
|-------------|---------------|
| ECLASS-6.0  | 27279218      |
| ECLASS-6.1  | 27279218      |
| ECLASS-7.0  | 27279218      |
| ECLASS-8.0  | 27279218      |
| ECLASS-9.0  | 27060327      |
| ECLASS-10.1 | 27060311      |
| ECLASS-11.1 | 27060311      |
| ECLASS-12.0 | 27060327      |
| ETIM-5.0    | EC001855      |
| GTIN        | 4048879644433 |
| Pakkauskoko | 1             |
| Tullinumero | 85444290      |

#### Electrical data | Supply

|                                    |       |
|------------------------------------|-------|
| Operating voltage AC max.          | 600 V |
| Operating voltage DC max.          | 600 V |
| Current operating per contact max. | 9 A   |

#### Diagnostics

|                       |    |
|-----------------------|----|
| Status indication LED | no |
|-----------------------|----|

#### Device protection | Electrical

|  |                   |
|--|-------------------|
| Degree of protection (EN IEC 60529)    | IP68              |
| Additional condition protection degree | inserted, screwed |
| Pollution Degree                       | 3                 |
| Rated surge voltage                    | 2,5 kV            |

#### Mechanical data | Material data

|                  |                  |
|------------------|------------------|
| Coating locking  | Nickeled         |
| Material housing | PUR              |
| Locking material | Zinc die-casting |

#### Mechanical data | Mounting data

|                 |                                       |
|-----------------|---------------------------------------|
| Mounting method | inserted, screwed, Shaking protection |
|-----------------|---------------------------------------|

#### Environmental characteristics | Climatic

|  |                            |
|--|----------------------------|
| Operating temperature min.             | -25 °C                     |
| Operating temperature max.             | 80 °C                      |
| Additional condition temperature range | depending on cable quality |

#### Important installation notes

|                        |   |
|------------------------|---|
| Note on strain relief  | Protect the connectors by suitable measures from mechanical loads, e.g. by the usage of cable ties.   |
| Note on bending radius | <b>Attention:</b> Observe the permissible bending radii when laying cables, as the IP protection class can be endangered by excessive bending forces. |

#### Installation | Cable

|                      |                                  |
|----------------------|----------------------------------|
| wire arrangement     | black, orange, green, red, white |
| Cable identification | UBD                              |
| Jacket Color         | yellow                           |
| Type of Certificate  | cURus                            |

|   |  |
|---|--|
| STOOW style jacket                                | STOOW  |
| Amount stranding                                  | 1  |
| Stranding   | 5 wires around 1 Filler twisted                      |
| Banding   | silk paper   |
| Filler  | yes  |
| wire arrangement                                  | black, orange, green, red, white                     |
| Cable weight                                      | 189,2 g/m  |
| Material jacket                                   | PVC  |
| Freedom from ingredients (jacket)                 | lead-free, CFC-free                                  |
| Outer-diameter (jacket)                           | 12,7 mm  |
| Tolerance outer diameter (sheath)                 | ± 5 %  |
| Material wire insulation                          | PVC  |
| Amount wires                                      | 5  |
| Outer diameter insulation                         | 3,05 mm  |
| Outer diameter tolerance core insulation          | ± 5 %  |
| Ingredient freeness wire insulation               | lead-free, CFC-free                                  |
| Amount strands (wire)                             | 26   |
| Diameter of single wires                          | 16 AWG   |
| Conductor crosssection (wire)                     | 16 AWG   |
| Material conductor wire                           | Stranded copper wire, bare                           |
| Nominal voltage AC max.                           | 600 V  |
| Current load capacity (standard)                  | according to NFPA-70 (NEC) : 400.5(A) (1-3)          |
| Current load capacity min. wire                   | 8 A  |
| Electrical resistance line constant wire          | 13,1 Ω/km @ 20 °C                                    |
| AC withstand voltage (wire - wire)                | 6 kV @ 60 s  |
| Power frequency withstand voltage (wire - jacket) | 6 kV @ 60 s  |
| Min. operating temperature (static)               | -50 °C   |
| Max. operating temperature (fixed)                | 105 °C   |
| Operating temperature min. (dynamic)              | -20 °C   |
| Operating temperature max. (dynamic)              | 90 °C  |
| Flame resistance                                  | IEC 60332-2-2   UL 1581 § 1090   UL 1581 § 1100 FT2  |
| chemical resistance                               | Good, application-related testing                    |
| Gasoline resistance                               | Good, application-related testing                    |
| Oil resistance                                    | DIN EN 60811-404   Good, application-related testing |
| Bending radius (fixed)                            | 10 x Outer diameter                                  |
| Bending radius (dynamic)                          | 15 x Outer diameter                                  |
| No. of bending cycles (C-track)                   | 2 Mio.   |