

M12 male 0° X-cod. / RJ45 male 0° shielded

TPE 4x2x26AWG SF/UTP CAT6a bu UL/CSA. CMR 7.5m

Ethernet CAT6A

Plastic housings with good resistance against chemicals and oils.

Male straight – male straight

M12 – RJ45, 8-pole

X-coded

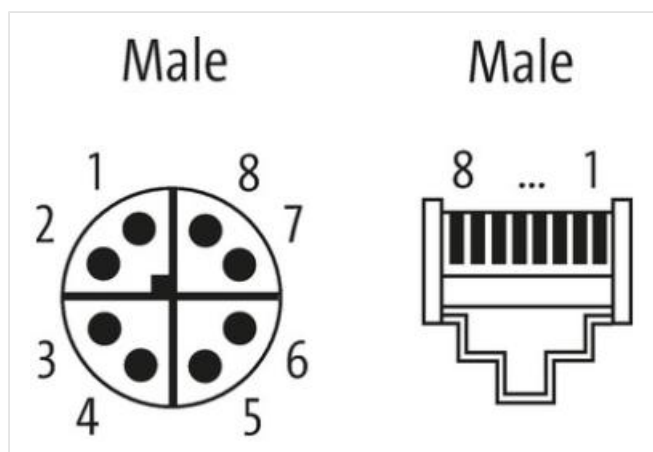
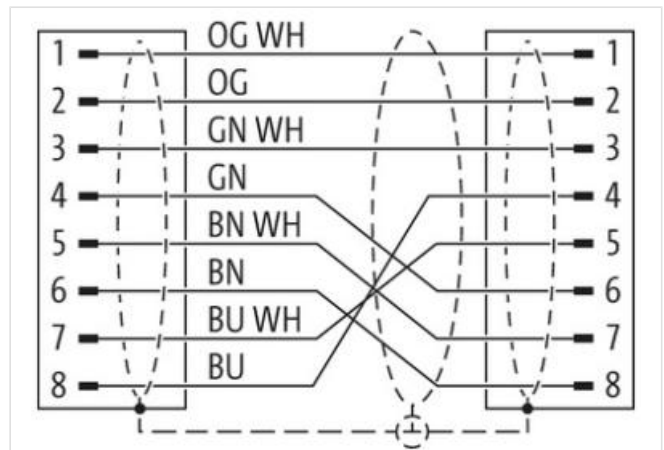
without cable sleeves

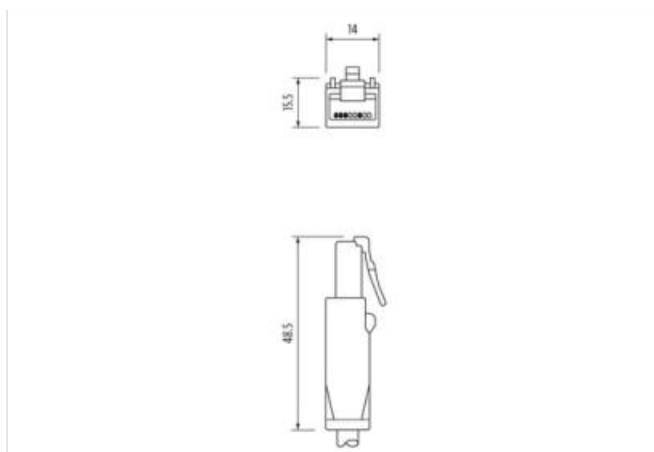
shielded

Protection cap

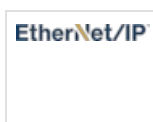
Transmission properties with channel transmission up to 50 m

Further cable lengths on request.

[Linkki tuotteeseen](#)**Kuvat**



Tuote voi erota kuvassa olevasta



Cable length 7,5 m

Side 1

Mounting method inserted, screwed

Family construction form M12

No. of poles 8

Side 2

Mounting method inserted, screwed

Family construction form RJ45

No. of poles 8

Kaupalliset tiedot

ECLASS-6.0 27061801

ECLASS-6.1 27060307

ECLASS-7.0 27060307

ECLASS-8.0 27060307

ECLASS-9.0 27060307

ECLASS-10.1 27060307

ECLASS-11.1 27060307

ECLASS-12.0 27060307

ETIM-5.0 EC002599

GTIN 4048879688208

Pakkauskoko 1

Tullinumero 85444290

Electrical data | Supply

Operating voltage DC max. 60 V

Industrial communication

Transfer parameters CAT6, Class EA (ISO/IEC 11801:2002), (EN 50173-1)

Data transmission rate max. 10000 MBit/s

Device protection | Electrical

Pollution Degree 3

Rated surge voltage 1 kV

Material group (IEC 60664-1) I

| Environmental characteristics Climatic | |
|---------------------------------------------------|-------------------------------------------------------------------------------------------------------------------------------------------------------|
| Operating temperature min. | -25 °C |
| Operating temperature max. | 85 °C |
| Additional condition temperature range | depending on cable quality |
| Important installation notes | |
| Note on strain relief | Protect the connectors by suitable measures from mechanical loads, e.g. by the usage of cable ties. |
| Note on bending radius | Attention: Observe the permissible bending radii when laying cables, as the IP protection class can be endangered by excessive bending forces. |
| Installation Cable | |
| wire arrangement | (orange-white, orange), (blue-white, blue), (brown-white, brown), (green-white, green) |
| Cable identification | S4X |
| Function cable | Data |
| Jacket Color | blue |
| Type of Certificate | cURus |
| Amount stranding | 4 |
| Stranding | 2 wires twisted |
| Amount stranding (type 2) | 1 |
| Stranding (type 2) | 4 Stranded joints around Insulation element twisted |
| Banding | Foil |
| Filler | Insulation element |
| wire arrangement | (orange-white, orange), (blue-white, blue), (brown-white, brown), (green-white, green) |
| Cable length max. | 66 m |
| Cable weight | 65,48 g/m |
| Material jacket | TPE |
| Freedom from ingredients (jacket) | lead-free, CFC-free |
| Outer-diameter (jacket) | 7,4 mm |
| Tolerance outer diameter (sheath) | ± 5 % |
| Material wire insulation | HDPE |
| Amount wires | 8 |
| Outer diameter insulation | 0,9 mm |
| Outer diameter tolerance core insulation | ± 5 % |
| Ingredient freeness wire insulation | lead-free, CFC-free |
| Amount strands (wire) | 7 |
| Diameter of single wires | 26 AWG |
| Conductor crosssection (wire) | 26 AWG |
| Material conductor wire | copper stranded wire, tinned |
| Nominal voltage AC max. | 600 V |
| Current load capacity (standard) | to DIN VDE 0298-4 |
| Current load capacity min. wire | 2 A |
| Characteristic impedance | 100 Ω @ 100 MHz |
| Electrical resistance line constant wire | 212 Ω/km @ 20 °C |
| AC withstand voltage (wire - wire) | 1,5 kV @ 2 s |
| Electrical capacity line constant (wire - wire) | 84850 pF/km |
| Power frequency withstand voltage (wire - jacket) | 1,5 kV @ 2 s |
| Loop resistance | 424 Ω/km |
| Min. operating temperature (static) | -40 °C |
| Max. operating temperature (fixed) | 80 °C |
| Operating temperature min. (dynamic) | -40 °C |
| Operating temperature max. (dynamic) | 80 °C |
| Storage temperature min. | -40 °C |
| Storage temperature max. | 80 °C |
| Flame resistance | IEC 60332-2-2 UL 1581 § 1100 FT2 UL 1581 § 1090 |
| chemical resistance | Good, application-related testing |

Tämän tietolomakkeen tiedot on laadittu suurimmalla mahdollisella huolellisuudella.

Vahingonkorvausvastuu koskien tietojen oikeellisuutta, laajuutta ja ajankohtaisuutta kattaa ainoastaan törkeän laiminlyönnin. Versio: 26.06.2024

Murrelektronik Power Oy | Jussilankatu 6 | 15680 Lahti | Fon +358 20 7789810 | Fax +358 20 7789811 | shop@murrelektronik.fi | shop.murrelektronik.fi

| | |
|---------------------------------|------------------------------------------------------|
| Gasoline resistance | Good, application-related testing |
| Oil resistance | DIN EN 60811-404 Good, application-related testing |
| Bending radius (dynamic) | 5 x Outer diameter |
| No. of bending cycles (C-track) | 35 Mio. @ 25 °C |
| Traversing distance (C-track) | 0,6 m @ 25 °C |
| Travel speed (C-track) | 1,2 m/s @ 25 °C |
| No. of torsion cycles | 3 Mio. 25 °C |
| Torsion stress | ± 270 °/m @ 25 °C |
| Torsion speed | 60 cycles/min 25 °C |