

B6 Surface mounted h., low profile, IP65

Single locking lever m., side entry M25, p-cover

B6

Surface mounted housing (low)

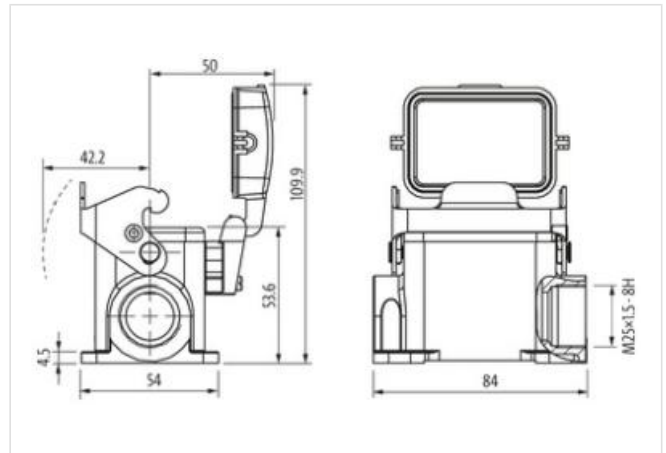
Single locking lever

IP65

Technical data will be only guaranteed with Murrelektronik components.

Linkki tuotteeseen

Kuvat



Tuote voi erota kuvassa olevasta

Kaupalliset tiedot

ECLASS-6.0	27279221
ECLASS-6.1	27261203
ECLASS-7.0	27440202
ECLASS-8.0	27440202
ECLASS-9.0	27440202
ECLASS-10.1	27440202
ECLASS-11.1	27440202
ECLASS-12.0	27440202
ETIM-5.0	EC000437
GTIN	4048879696289
Pakkauskoko	1
Tullinumero	85389099

Installation

Cable outlet	laterally
--------------	-----------

Installation | Connection

Mounting set	M25
Mating cycles min.	500

Device protection | Electrical

Degree of protection (EN IEC 60529)	IP65
Additional condition protection degree	inserted, locked, with screw connection

Mechanical data

Housing type	Surface mounted housing
--------------	-------------------------

Mechanical data | Material data

Coating housing	powder-coated
-----------------	---------------

Coating locking	verzinkt
-----------------	----------

Material gasket	NBR
-----------------	-----

Material housing	Aluminum die casting
------------------	----------------------

Material protective cover	Plastic
---------------------------	---------

Locking material	Steel
------------------	-------

Mechanical data | Mounting data

Size	B6
------	----

Locking techniques	Single locking lever
--------------------	----------------------

Environmental characteristics | Climatic

Operating temperature min.	-40 °C
----------------------------	--------

Operating temperature max.	100 °C
----------------------------	--------

Climatic category (EN IEC 60068-1)	40/100/21
------------------------------------	-----------