

Valve plug MSC SuperSeal male/MSC SuperSeal female

PUR 6x0.75 bk 2m

Xtreme - Outdoor

Male straight – female straight

max. 24 V DC

6-pole

without components

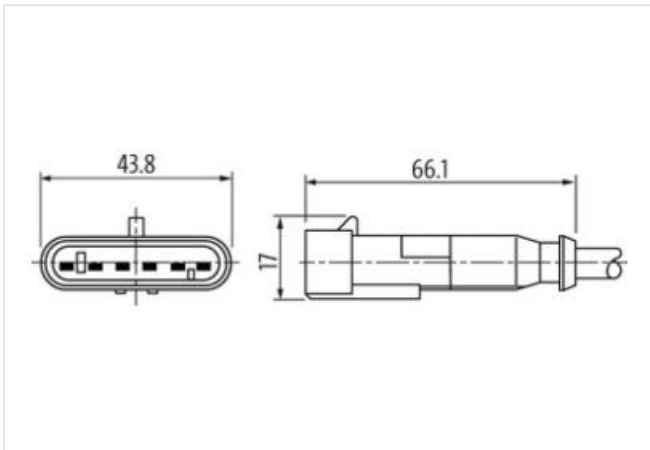
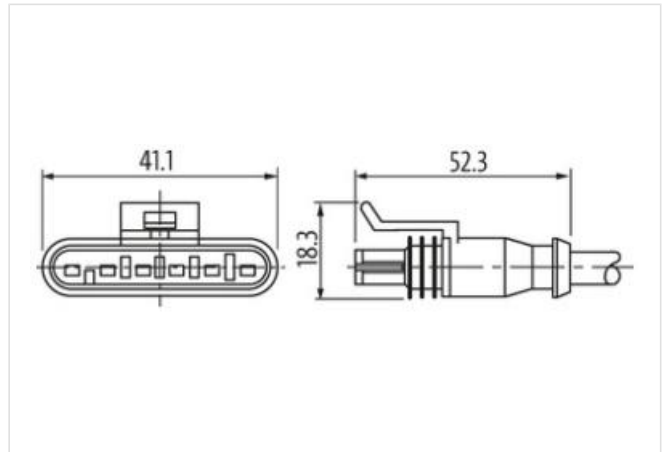
Plastic housings with good resistance against chemicals and oils.

The resistance to aggressive media should be individually tested for your application. Further details on request.

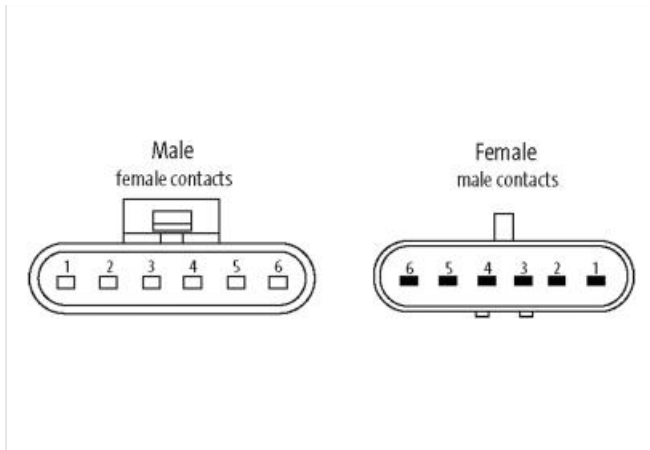
Further cable lengths on request.

Link to Product

Illustration



1	green	1
2	brown	2
3	white	3
4	pink	4
5	gray	5
6	yellow	6



Product may differ from Image

Cable length	2 m
Side 1	
Mounting method	inserted
Coating contact	tin-plated
Family construction form	SuperSeal
Material contact	Copper alloy
No. of poles	6
Degree of protection (EN IEC 60529)	IP67, IP69K
Side 2	
Mounting method	inserted
Coating contact	tin-plated
Family construction form	SuperSeal
No. of poles	6
Commercial data	
ECLASS-6.0	27279218
ECLASS-6.1	27279218
ECLASS-7.0	27279218
ECLASS-8.0	27279218
ECLASS-9.0	27060312
ECLASS-10.1	27060312
ECLASS-11.1	27060312
ECLASS-12.0	27060312
ETIM-5.0	EC000830
customs tariff number	85444290
GTIN	4048879703789
Packaging unit	1
Electrical data Supply	
Operating voltage DC max.	24 V
Operating current per contact max. (40°C)	6 A
Diagnostics	
Status indication LED	no
Installation Connection	
Family construction form	AMP SuperSeal 1.5
Device protection Electrical	
Additional condition protection degree	inserted
Additional suppressor	without components

The information in this Product-PDF has been compiled with the utmost care.

Liability for the correctness completeness and topicality of the information is restricted to gross negligence. Version: 2024-06-26

Murrelektronik Power Oy | Jussilankatu 6 | 15680 Lahti | Fon +358 20 7789810 | Fax +358 20 7789811 | shop@murrelektronik.fi | shop.murrelektronik.fi

Mechanical data | Material data

Color housing	black
Material gasket	Silicon
Material housing	Plastic
Material overmolding	TPU

Mechanical data | Mounting data

Looking techniques	Snap-in connector
--------------------	-------------------

Environmental characteristics | Climatic

Operating temperature min.	-40 °C
Operating temperature max.	125 °C
Additional condition temperature range	depending on cable quality

Important installation notes

Note on strain relief	Protect the connectors by suitable measures from mechanical loads, e.g. by the usage of cable ties.
Note on bending radius	Attention: Observe the permissible bending radii when laying cables, as the IP protection class can be endangered by excessive bending forces.