

**M8 male 0° / M8 male 0° A-cod. shielded**

PUR 1x4xAWG24 shielded gn UL/CSA+drag ch. 55m

Ethernet CAT5

Male straight – male straight

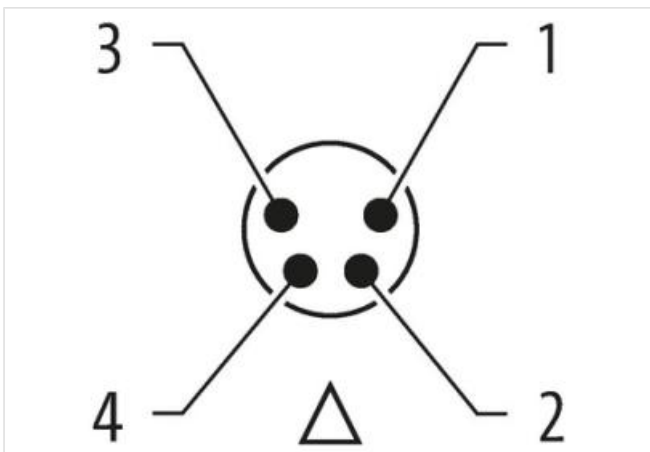
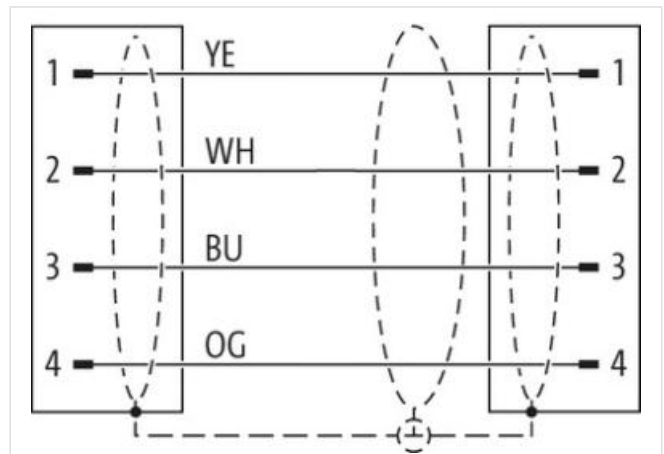
M8 – M8, 4-pole

shielded

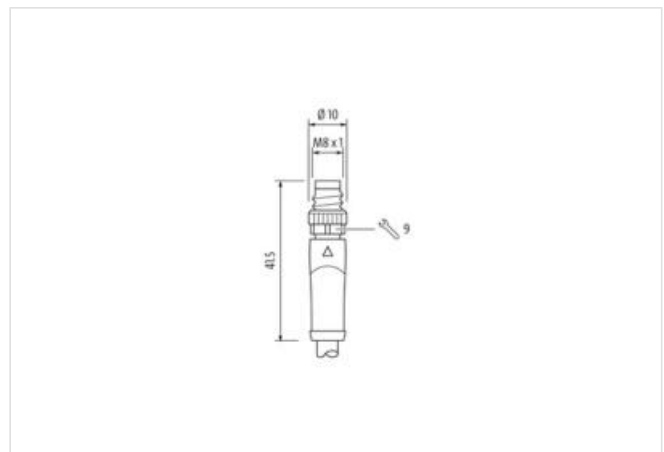
Further cable lengths on request.

Plastic housings with good resistance against chemicals and oils.

The resistance to aggressive media should be individually tested for your application. Further details on request.

**[Link to Product](#)****Illustration**

Product may differ from Image



Cable length

55 m

**Side 1**

Tightening torque

0,4 Nm

The information in this Product-PDF has been compiled with the utmost care.

Liability for the correctness completeness and topicality of the information is restricted to gross negligence. Version: 2024-06-21

Murrelektronik Power Oy | Jussilankatu 6 | 15680 Lahti | Fon +358 20 7789810 | Fax +358 20 7789811 | shop@murrelektronik.fi | shop.murrelektronik.fi

|   |                   |
|---|-------------------|
| Mounting method                           | inserted, screwed |
| Coating contact                           | gold plated       |
| Family construction form                  | M8                |
| Thread                                    | M8 x 1            |
| suitable for corrugated tube (internal Ø) | 8,5 mm            |
| Material contact                          | Copper alloy      |
| No. of poles                              | 4                 |
| Width across flats                        | SW9               |

**Side 2**

|                          |                   |
|--------------------------|-------------------|
| Tightening torque        | 0,4 Nm            |
| Mounting method          | inserted, screwed |
| Coating contact          | gold plated       |
| Family construction form | M8                |
| Thread                   | M8 x 1            |
| Material contact         | Copper alloy      |
| No. of poles             | 4                 |

**Commercial data**

|                       |               |
|-----------------------|---------------|
| ECLASS-6.0            | 27061801      |
| ECLASS-6.1            | 27060307      |
| ECLASS-7.0            | 27060307      |
| ECLASS-8.0            | 27060307      |
| ECLASS-9.0            | 27060307      |
| ECLASS-10.1           | 27060307      |
| ECLASS-11.1           | 27060307      |
| ECLASS-12.0           | 27060307      |
| ETIM-5.0              | EC002599      |
| customs tariff number | 85444290      |
| GTIN                  | 4065909046135 |
| Packaging unit        | 1             |

**Electrical data | Supply**

|                                    |       |
|------------------------------------|-------|
| Operating voltage DC max.          | 60 V  |
| Current operating per contact max. | 1,5 A |

**Industrial communication**

|                             |   |
|-----------------------------|---|
| Transfer parameters         | With reference to CAT5, Class D (ISO/IEC 11801) |
| Data transmission rate max. | 100 MBit/s                                      |

**Diagnostics**

|                       |    |
|-----------------------|----|
| Status indication LED | no |
|-----------------------|----|

**Device protection | Electrical**

|  |                         |
|--|-------------------------|
| Degree of protection (EN IEC 60529)    | IP65, IP67, IP68, IP66K |
| Additional condition protection degree | inserted, screwed       |
| Pollution Degree                       | 3                       |
| Rated surge voltage                    | 1,5 kV                  |
| Material group (IEC 60664-1)           | I                       |

**Mechanical data | Material data**

|                  |               |
|------------------|---------------|
| Coating locking  | nickel plated |
| Material housing | PUR           |
| Locking material | Brass         |

**Mechanical data | Mounting data**

|                 |                                       |
|-----------------|---------------------------------------|
| Mounting method | inserted, screwed, Shaking protection |
|-----------------|---------------------------------------|

**Environmental characteristics | Climatic**

|   |   |
|---|---|
| Operating temperature min.                        | -25 °C  |
| Operating temperature max.                        | 85 °C   |
| Additional condition temperature range            | depending on cable quality  |
| <b>Important installation notes</b>               |   |
| Note on strain relief                             | Protect the connectors by suitable measures from mechanical loads, e.g. by the usage of cable ties.   |
| Note on bending radius                            | <b>Attention:</b> Observe the permissible bending radii when laying cables, as the IP protection class can be endangered by excessive bending forces. |
| <b>Conformity</b>                                 |   |
| Product standard                                  | DIN EN 61076-2-114 (M8)   |
| <b>Installation   Cable</b>                       |   |
| wire arrangement                                  | white, yellow, blue, orange   |
| Cable identification                              | 585   |
| Jacket Color                                      | green   |
| Type of Certificate                               | cURus   |
| Amount stranding                                  | 1   |
| Stranding   | 4 wires around Core filler star-shaped twisted  |
| Cable shielding (type)                            | copper braid, tinned  |
| Cable shielding (coverage)                        | 85 %  |
| Banding   | Foil  |
| Filler  | yes   |
| wire arrangement                                  | white, yellow, blue, orange   |
| Cable weight                                      | 68,2 g/m  |
| Material jacket                                   | PUR   |
| Shore hardness jacket                             | 90 Shore A  |
| Freedom from ingredients (jacket)                 | lead-free, cadmium-free, CFC-free, halogen-free, silicone-free  |
| Outer-diameter (jacket)                           | 6 mm  |
| Tolerance outer diameter (sheath)                 | ± 5 %   |
| Material inner jacket                             | TPE-V   |
| Color (inner jacket)                              | white   |
| Material wire insulation                          | PE  |
| Amount wires                                      | 4   |
| Outer diameter insulation                         | 1,2 mm  |
| Outer diameter tolerance core insulation          | ± 5 %   |
| Shore hardness wire insulation                    | 65 Shore D  |
| Ingredient freeness wire insulation               | lead-free, CFC-free, halogen-free   |
| Amount strands (wire)                             | 7   |
| Diameter of single wires                          | 24 AWG  |
| Conductor crosssection (wire)                     | 24 AWG  |
| Material conductor wire                           | Stranded copper wire, bare  |
| Nominal voltage AC max.                           | 300 V   |
| Current load capacity (standard)                  | to DIN VDE 0298-4   |
| Current load capacity min. wire                   | 2,4 A   |
| Characteristic impedance                          | 100 Ω ± 15 % @ 100 MHz  |
| Electrical resistance line constant wire          | 85 Ω/km @ 20 °C   |
| AC withstand voltage (wire - wire)                | 2 kV @ 60 s   |
| Electrical capacity line constant (wire - wire)   | 50 pF/km  |
| Power frequency withstand voltage (wire - jacket) | 2 kV @ 60 s   |
| AC withstand voltage (wire - shield)              | 2 kV @ 60 s   |
| Isolation resistance                              | 5000 MΩ × km  |
| Min. operating temperature (static)               | -40 °C  |
| Max. operating temperature (fixed)                | 80 °C   |
| Operating temperature min. (dynamic)              | -30 °C  |

The information in this Product-PDF has been compiled with the utmost care.

Liability for the correctness completeness and topicality of the information is restricted to gross negligence. Version: 2024-06-21

Murrelektronik Power Oy | Jussilankatu 6 | 15680 Lahti | Fon +358 20 7789810 | Fax +358 20 7789811 | shop@murrelektronik.fi | shop.murrelektronik.fi

|                                      |  |
|--------------------------------------|--|
| Operating temperature max. (dynamic) | 70 °C  |
| Flame resistance                     | UL 1581 § 1090   IEC 60332-2-2   UL 1581 § 1100 FT2  |
| chemical resistance                  | Good, application-related testing                    |
| Gasoline resistance                  | Good, application-related testing                    |
| Oil resistance                       | Good, application-related testing   DIN EN 60811-404 |
| Bending radius (fixed)               | 5 x Outer diameter                                   |
| Bending radius (dynamic)             | 12 x Outer diameter                                  |
| No. of bending cycles (C-track)      | 3,5 Mio.   |
| Traversing distance (C-track)        | 5 m  |
| Travel speed (C-track)               | 3,3 m/s  |