

**M12 male 0° A-cod. / MSUD valve plug A-18mm**

PUR 4x0,75 bk UL/CSA 0,5m

Form A (18 mm)

Further cable lengths on request.

Male M12

straight

12...30 V DC

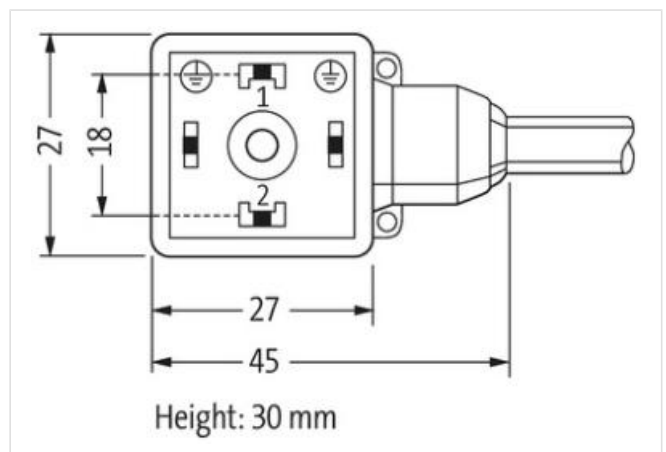
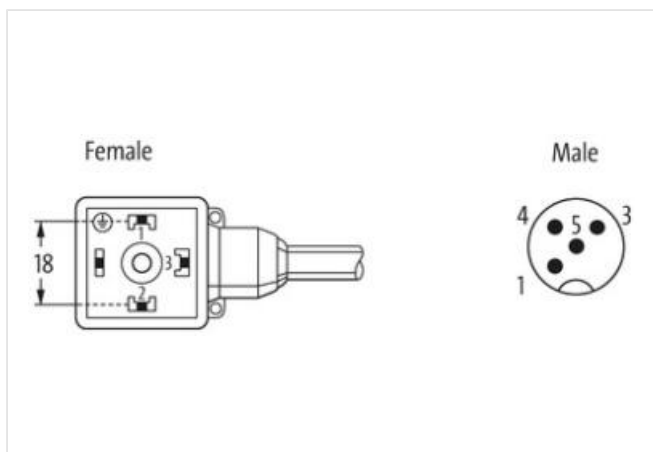
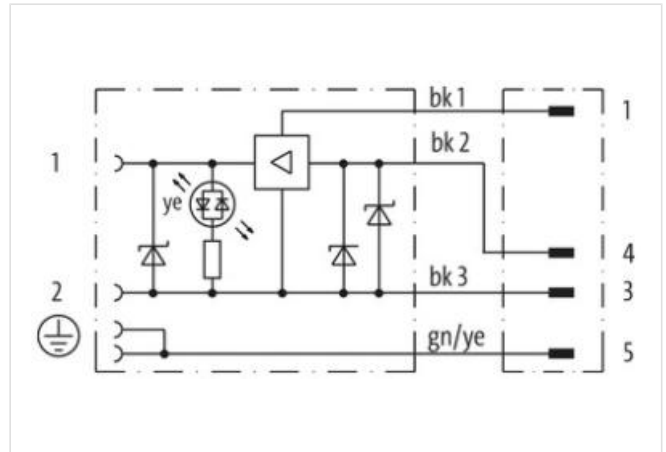
4-pole

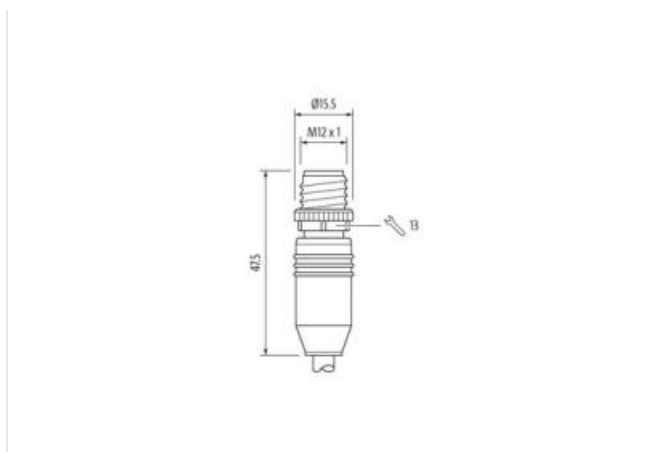
Z-Diode + LED

Control current

Switching frequency

Plastic housings with good resistance against chemicals and oils.

[Linkki tuotteeseen](#)**Kuvat**



Tuote voi erota kuvassa olevasta



Cable length 0,5 m

#### Side 1

|                          |                   |
|--------------------------|-------------------|
| Tightening torque        | 0,4 Nm            |
| Mounting method          | inserted, screwed |
| Coating contact          | silver-plated     |
| Family construction form | MSUD              |
| Thread                   | M3                |
| Material contact         | Copper alloy      |
| Material                 | PUR               |
| No. of poles             | 4                 |

#### Side 2

|                          |                   |
|--------------------------|-------------------|
| Tightening torque        | 0,6 Nm            |
| Mounting method          | inserted, screwed |
| Coating contact          | gold plated       |
| Family construction form | M12               |
| Thread                   | M12 x 1           |
| Material contact         | Copper alloy      |
| Material                 | PBT               |
| No. of poles             | 4                 |
| Width across flats       | SW13              |

#### Kaupalliset tiedot

|             |               |
|-------------|---------------|
| ECLASS-6.0  | 27143423      |
| ECLASS-6.1  | 27279218      |
| ECLASS-7.0  | 27279218      |
| ECLASS-8.0  | 27279218      |
| ECLASS-9.0  | 27060312      |
| ECLASS-10.1 | 27060312      |
| ECLASS-11.1 | 27060312      |
| ECLASS-12.0 | 27060312      |
| ETIM-5.0    | EC001855      |
| GTIN        | 4048879529808 |
| Pakkauskoko | 1             |

Tullinumero 85444290

**Electrical data | Supply**

|  |       |
|--|-------|
| Operating voltage DC min.                  | 12 V  |
| Operating voltage DC max.                  | 30 V  |
| Cut-off peak voltage max.                  | 46 V  |
| Operating current per contact min. (40 °C) | 0,1 A |
| Operating current per contact max. (40°C)  | 2 A   |
| Current consumption max.                   | 6 mA  |

**Diagnostics**

Status indication LED yellow

**Device protection | Electrical**

|  |                   |
|--|-------------------|
| Degree of protection (EN IEC 60529)    | IP67              |
| Additional condition protection degree | inserted, screwed |

**Electrical data | Output**

Switching frequency max. 50 Hz

**Mechanical data**

Contour for corrugated hose without

**Mechanical data | Material data**

|                  |                  |
|------------------|------------------|
| Coating locking  | Nickeled         |
| Color housing    | black            |
| Material gasket  | PUR              |
| Material housing | Plastic          |
| Locking material | Zinc die-casting |

**Mechanical data | Mounting data**

Mounting method inserted, screwed

**Important installation notes**

|                        |   |
|------------------------|---|
| Note on strain relief  | Protect the connectors by suitable measures from mechanical loads, e.g. by the usage of cable ties.   |
| Note on bending radius | <b>Attention:</b> Observe the permissible bending radii when laying cables, as the IP protection class can be endangered by excessive bending forces. |

**Conformity**

Product standard DIN EN 61076-2-101 (M12)

**Installation | Cable**

|                                   |  |
|-----------------------------------|--|
| wire arrangement                  | black 1, black 2, black 3, green-yellow          |
| Cable identification              | 627  |
| Cable Type                        | 2  |
| Printing color of wire insulation | white (isolation black)                          |
| Jacket Color                      | black  |
| Type of Certificate               | cURus  |
| Amount stranding                  | 1  |
| Stranding                         | 4 wires twisted                                  |
| wire arrangement                  | black 1, black 2, black 3, green-yellow          |
| Cable weight                      | 74,8 g/m   |
| Material jacket                   | PUR  |
| Shore hardness jacket             | 85 ± 5 Shore A                                   |
| Freedom from ingredients (jacket) | lead-free, cadmium-free, CFC-free, silicone-free |
| Outer-diameter (jacket)           | 6,5 mm   |
| Tolerance outer diameter (sheath) | ± 5 %  |
| Material inner jacket             | PVC  |
| Color (inner jacket)              | black  |
| Material wire insulation          | PVC  |

|   |  |
|---|--|
| Amount wires                                      | 4  |
| Outer diameter insulation                         | 1,8 mm   |
| Outer diameter tolerance core insulation          | ± 5 %  |
| Shore hardness wire insulation                    | 43 ± 5 Shore D                                       |
| Ingredient freeness wire insulation               | lead-free, cadmium-free, CFC-free, silicone-free     |
| Printing color of wire insulation                 | white (isolation black)                              |
| Amount strands (wire)                             | 42   |
| Diameter of single wires                          | 0,15 mm  |
| Conductor crosssection (wire)                     | 0,75 mm <sup>2</sup>                                 |
| Material conductor wire                           | Stranded copper wire, bare                           |
| Conductor type (wire)                             | strand class 6                                       |
| Nominal voltage AC max.                           | 300 V  |
| Current load capacity (standard)                  | to DIN VDE 0298-4                                    |
| Current load capacity min. wire                   | 12 A   |
| Electrical resistance line constant wire          | 26 Ω/km @ 20 °C                                      |
| AC withstand voltage (wire - wire)                | 2 kV @ 60 s  |
| Power frequency withstand voltage (wire - jacket) | 2 kV @ 60 s  |
| Min. operating temperature (static)               | -30 °C   |
| Max. operating temperature (fixed)                | 80 °C  |
| Operating temperature min. (dynamic)              | -5 °C  |
| Operating temperature max. (dynamic)              | 80 °C  |
| UV resistance                                     | DIN EN ISO 4892-2 A                                  |
| Flame resistance                                  | UL 1581 § 1100 FT2   IEC 60332-2-2   UL 1581 § 1090  |
| chemical resistance                               | Good, application-related testing                    |
| Gasoline resistance                               | Good, application-related testing                    |
| Oil resistance                                    | Good, application-related testing   DIN EN 60811-404 |
| Bending radius (fixed)                            | 10 x Outer diameter                                  |
| Bending radius (dynamic)                          | 15 x Outer diameter                                  |
| No. of bending cycles (C-track)                   | 2 Mio. @ 25 °C                                       |
| Traversing distance (C-track)                     | 5 m @ 25 °C   horizontal                             |
| Travel speed (C-track)                            | 3,3 m/s @ 25 °C                                      |