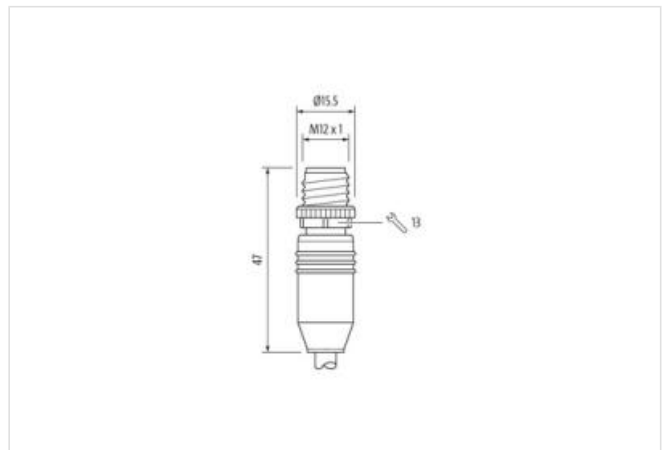
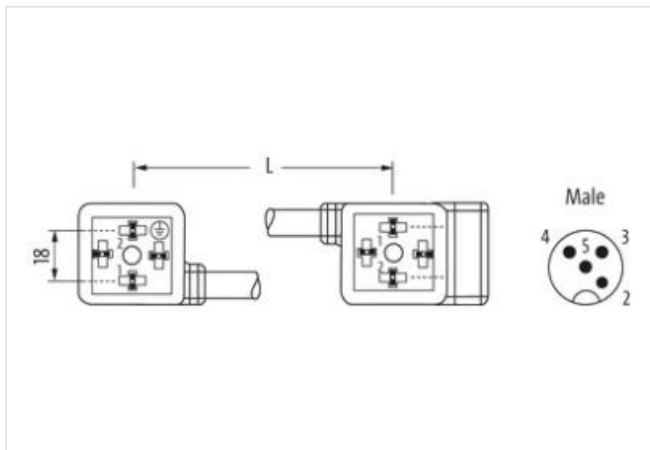
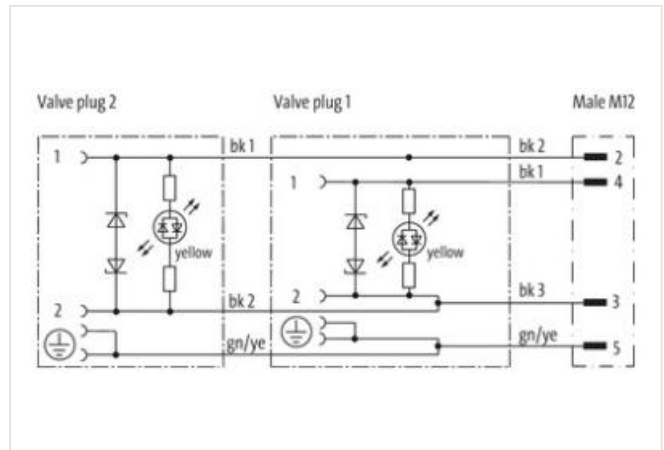
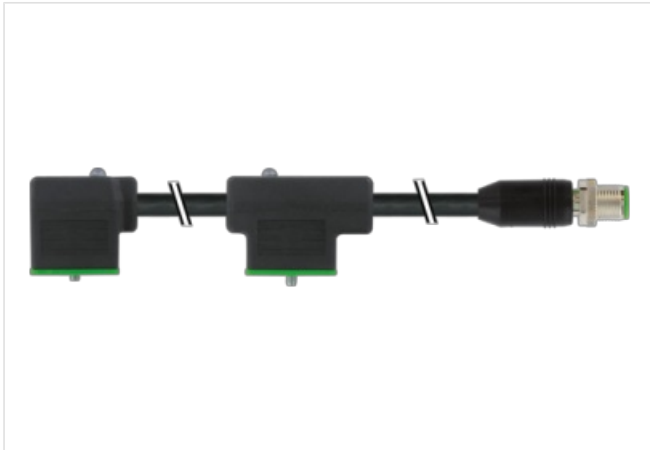


**M12 male 0° A-cod. / MSUD double valve A-18mm**

PVC 4x0.75 bk 0.3m

Form A (18 mm) – M12, connector at the rear  
 24 V AC  $\pm 20\%$  / DC  $\pm 25\%$   
 LED and suppression  
 Connection cable L = 150 mm  
 Bridged PE

Plastic housings with good resistance against chemicals and oils.  
 The resistance to aggressive media should be individually tested for your application. Further details on request.  
 Further cable lengths on request.

[Linkki tuotteeseen](#)**Kuvat**



Tuote voi erota kuvassa olevasta



Cable length 0,3 m

#### Side 1

Family construction form MSUD A  
 No. of poles 3  
 Degree of protection (EN IEC 60529) IP67

#### Side 2

Family construction form MSUD A  
 No. of poles 3  
 Degree of protection (EN IEC 60529) IP67

#### Side 3

Family construction form M12  
 Coding A  
 No. of poles 4  
 Degree of protection (EN IEC 60529) IP67

#### Kaupalliset tiedot

ECLASS-6.0 27143423  
 ECLASS-6.1 27279218  
 ECLASS-7.0 27279218  
 ECLASS-8.0 27279218  
 ECLASS-9.0 27060312  
 ECLASS-10.1 27060312  
 ECLASS-11.1 27060312  
 ECLASS-12.0 27060312  
 ETIM-5.0 EC001855  
 GTIN 4048879629973  
 Pakkauskoko 1  
 Tullinumero 85444290

#### Electrical data | Supply

Operating voltage AC 24 V  
 Operating voltage AC min. 19,2 V  
 Operating voltage AC max. 28,8 V

Operating voltage DC	24 V
Operating voltage DC min.	18 V
Operating voltage DC max.	30 V
Current consumption max.	15 mA

#### Installation | Connection

Tightening torque	0,6 Nm
Width across flats	SW 13

#### Device protection | Electrical

Degree of protection (EN IEC 60529)	IP67
Pollution Degree	3
Rated surge voltage	0,8 kV
Material group (IEC 60664-1)	I
Additional suppressor	Z-Diode

#### Mechanical data | Material data

Locking screw coating	nickel plated
Locking material screw	Zinc die-casting

#### Mechanical data | Mounting data

Mounting method	inserted, screwed
-----------------	-------------------

#### Important installation notes

Note on strain relief	Protect the connectors by suitable measures from mechanical loads, e.g. by the usage of cable ties.
Note on bending radius	<b>Attention:</b> Observe the permissible bending radii when laying cables, as the IP protection class can be endangered by excessive bending forces.

#### Installation | Cable

wire arrangement	black 1, black 2, black 3, green-yellow
Cable identification	617
Cable Type	1
Printing color of wire insulation	white (isolation black)
Jacket Color	black
Amount stranding	1
Stranding	4 wires twisted
wire arrangement	black 1, black 2, black 3, green-yellow
Cable weight	77,66 g/m
Material jacket	PVC
Shore hardness jacket	80 ± 5 Shore A
Freedom from ingredients (jacket)	lead-free, cadmium-free, CFC-free, silicone-free
Outer-diameter (jacket)	6,5 mm
Tolerance outer diameter (sheath)	± 5 %
Material wire insulation	PVC
Amount wires	4
Outer diameter insulation	1,8 mm
Outer diameter tolerance core insulation	± 5 %
Shore hardness wire insulation	43 ± 5 Shore D
Material properties wire insulation	good machinability
Ingredient freeness wire insulation	lead-free, cadmium-free, CFC-free, silicone-free
Printing color of wire insulation	white (isolation black)
Amount strands (wire)	24
Diameter of single wires	0,2 mm
Conductor crosssection (wire)	0,75 mm <sup>2</sup>
Material conductor wire	Stranded copper wire, bare
Conductor type (wire)	Strand class 5
Max. rated voltage (conductor - conductor)	500 V
Max. rated voltage (conductor - ground)	300 V

Current load capacity (standard)	to DIN VDE 0298-4
Current load capacity min. wire	9,6 A
Electrical resistance line constant wire	26 $\Omega$ /km @ 20 °C
AC withstand voltage (wire - wire)	3 kV @ 60 s
Power frequency withstand voltage (wire - jacket)	3 kV @ 60 s
Min. operating temperature (static)	-30 °C
Max. operating temperature (fixed)	70 °C
Operating temperature min. (dynamic)	-5 °C
Operating temperature max. (dynamic)	70 °C
UV resistance	DIN EN ISO 4892-2 A
Flame resistance	IEC 60332-2-2   UL 1581 § 1090   UL 1581 § 1100 FT2
chemical resistance	Good, application-related testing
Gasoline resistance	Good, application-related testing
Oil resistance	DIN EN 60811-404   Good, application-related testing
Bending radius (fixed)	5 x Outer diameter
Bending radius (dynamic)	10 x Outer diameter