

**M8 female 90° A-cod. with cable LED**

PVC 3x0.34 gy CEI 3m

Female 90°

⚠ **NOTICE** ⚠

M8, 3-pole

**PRODUCT WILL BE DISCONTINUED BY JUNE 2023. PLEASE HAVE A LOOK AT THE ALTERNATIVE PRODUCTS.**

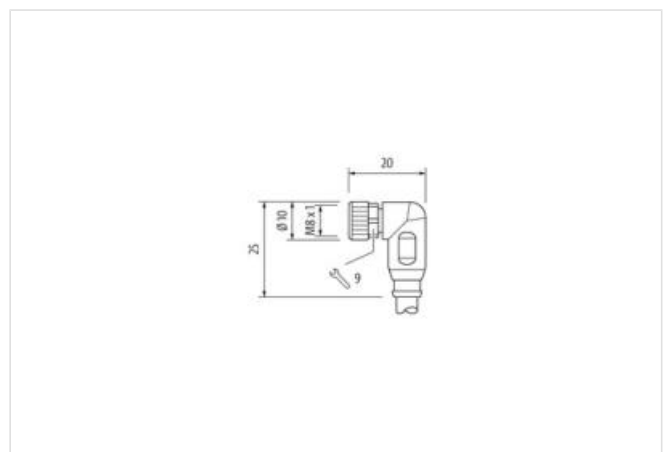
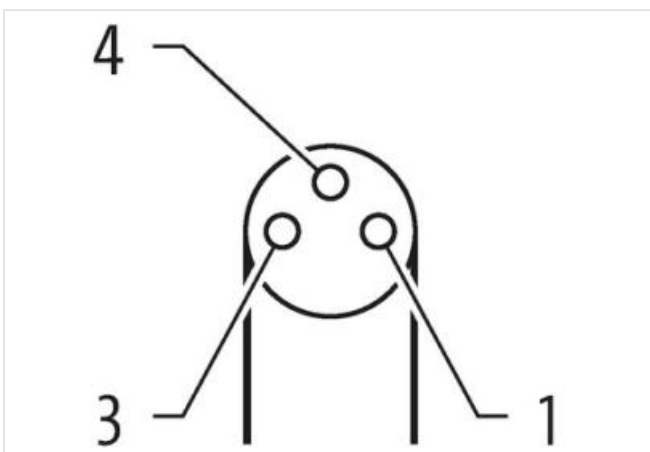
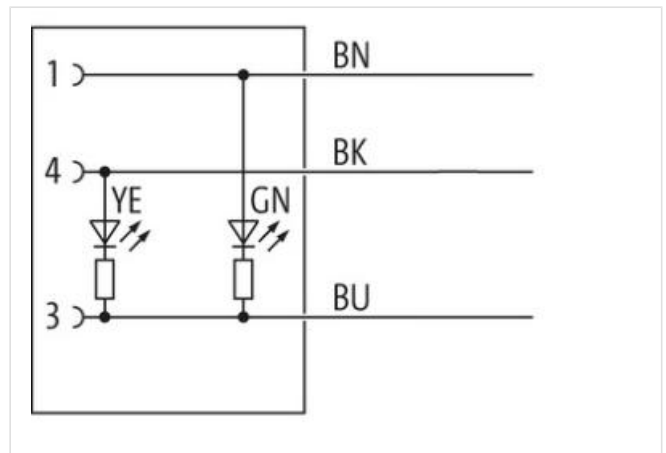
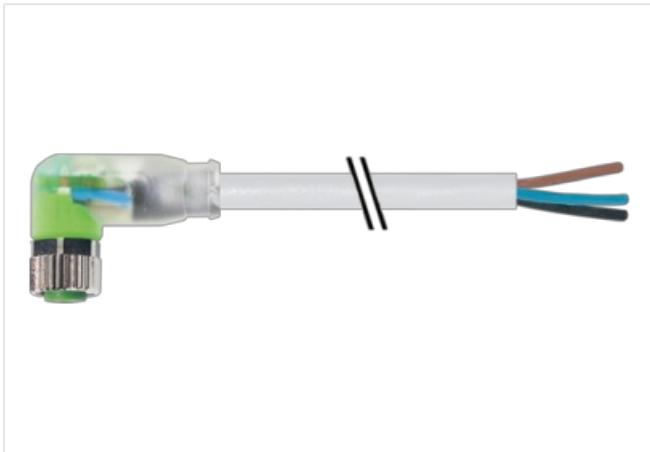
2x LED (PNP)

Art-No. 7005 - M8 Lite - (plastic hexagonal screw) on request

Plastic housings with good resistance against chemicals and oils.

The resistance to aggressive media should be individually tested for your application. Further details on request.

Further cable lengths on request.

[Linkki tuotteeseen](#)**Kuvat**

Tuote voi erota kuvassa olevasta



Cable length	3 m
<b>Side 1</b>	
Tightening torque	0,4 Nm
Mounting method	inserted, screwed
Coating contact	gold plated
Family construction form	M8
Thread	M8 x 1
suitable for corrugated tube (internal Ø)	6,5 mm
Cable outlet	angled
Coding	A
Material contact	Copper alloy
Material	PUR
No. of poles	3
Width across flats	SW9
Degree of protection (EN IEC 60529)	IP65, IP66K, IP67
<b>Side 2</b>	
Stripping length (jacket)	20 mm
Family construction form	free cable end
<b>Kaupalliset tiedot</b>	
ECLASS-6.0	27279218
ECLASS-6.1	27279218
ECLASS-7.0	27279218
ECLASS-8.0	27279218
ECLASS-9.0	27060311
ECLASS-10.1	27060311
ECLASS-11.1	27060311
ECLASS-12.0	27060311
ETIM-5.0	EC001855
GTIN	4048879674416
Pakkauskoko	1
Tullinumero	85444290
<b>Electrical data   Supply</b>	
Operating voltage DC	24 V
Operating voltage DC min.	18 V
Operating voltage DC max.	30 V
Current operating per contact max.	4 A
<b>Diagnostics</b>	
Status indication LED	green, yellow
<b>Installation   Connection</b>	
Stripping length (jacket)	20 mm
Mounting set	M8 x 1
<b>Device protection   Electrical</b>	
Degree of protection (EN IEC 60529)	IP65, IP67, IP66K
Additional condition protection degree	inserted, screwed
Pollution Degree	3
Rated surge voltage	0,8 kV
Material group (IEC 60664-1)	I
<b>Mechanical data   Material data</b>	
Coating locking	Nickeled
Coating of fitting	nickel plated
Locking material	Zinc die-casting

Material screw connection                      Zinc die-casting

#### Mechanical data | Mounting data

Mounting method                                      inserted, screwed, Shaking protection

#### Environmental characteristics | Climatic

Operating temperature min.                      -25 °C

Operating temperature max.                      85 °C

Additional condition temperature range                      depending on cable quality

#### Important installation notes

Note on strain relief                                      Protect the connectors by suitable measures from mechanical loads, e.g. by the usage of cable ties.

Note on bending radius                                      **Attention:** Observe the permissible bending radii when laying cables, as the IP protection class can be endangered by excessive bending forces.

#### Conformity

Product standard                                      DIN EN 61076-2-104 (M8)

#### Installation | Cable

wire arrangement                                      brown, black, blue

Cable identification                                      305

Jacket Color    gray

Amount stranding                                      1

Stranding    3 wires twisted

wire arrangement                                      brown, black, blue

Cable weight    35,2 g/m

Material jacket                                        PVC

Shore hardness jacket                                      80 ± Shore A

Freedom from ingredients (jacket)                      lead-free, cadmium-free, CFC-free, silicone-free

Outer-diameter (jacket)                                      4,6 mm

Tolerance outer diameter (sheath)                      ± 5 %

Material wire insulation                                      PVC

Amount wires    3

Outer diameter insulation                                      1,35 mm

Outer diameter tolerance core insulation                      ± 5 %

Shore hardness wire insulation                                      80 ± 5 Shore A

Amount strands (wire)                                      18

Diameter of single wires                                      0,1 mm

Conductor crosssection (wire)                                      0,34 mm<sup>2</sup>

Material conductor wire                                      Stranded copper wire, bare

Conductor type (wire)                                      strand class 6

Nominal voltage AC max.                                      300 V

Current load capacity (standard)                                      to DIN VDE 0298-4

Current load capacity min. wire                                      6 A

Electrical resistance line constant wire                                      57 Ω/km @ 20 °C

AC withstand voltage (wire - wire)                                      2,5 kV @ 60 s

Power frequency withstand voltage (wire - jacket)                                      2,5 kV @ 60 s

Min. operating temperature (static)                                      -30 °C

Max. operating temperature (fixed)                                      80 °C

Operating temperature min. (dynamic)                                      -5 °C

Operating temperature max. (dynamic)                                      80 °C

Flame resistance    UL 1581 § 1100 FT2 | UL 1581 § 1090 | IEC 60332-2-2

chemical resistance    Good, application-related testing

Gasoline resistance    Good, application-related testing

Oil resistance    Good, application-related testing | DIN EN 60811-404

Bending radius (fixed)    x Outer diameter

Bending radius (dynamic)    10 x Outer diameter

