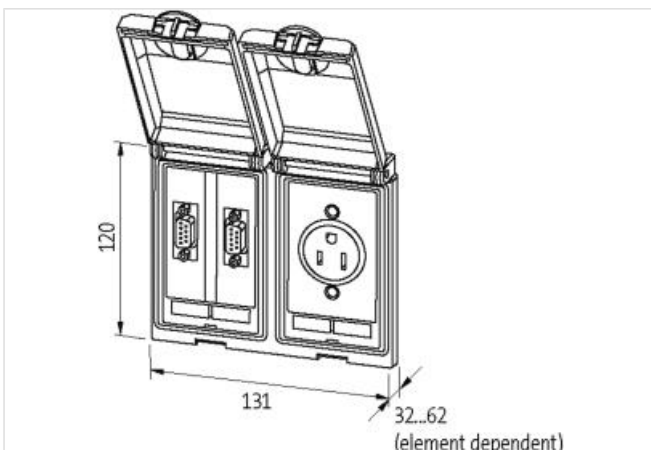


**Modlink MSDD-set: Frame 4000-68123-0000000,**  
insert 4000-68000-1000000 + 4000-68000-0060000

### [Link to Product](#)

#### Illustration



Product may differ from Image


**Commercial data**

ECLASS-6.0	27189217
ECLASS-6.1	27189217
ECLASS-7.0	27189217
ECLASS-8.0	27189217
ECLASS-9.0	27189217
ECLASS-10.1	27182806
ECLASS-11.1	27182806
ECLASS-12.0	27182806
ETIM-5.0	EC002625
customs tariff number	85366990
GTIN	4048879034081
Packaging unit	1

**Frame**

Degree of protection (EN IEC 60529)	IP65
Operating temperature min.	-10 °C
Operating temperature max.	60 °C
Storage temperature min.	-25 °C
Storage temperature max.	60 °C
Suitable for installation wall thickness min.	1 mm
Suitable for installation wall thickness max.	5 mm
Coating housing	surface finished
Material housing	Fine zinc die casting

**England**

Operating voltage AC	250 V
Operating current	13 A
No. of poles	2 + PE
Protection contact present	yes

**USB**

Operating voltage AC	48 V
Operating voltage DC	48 V
Operating voltage DC (UL-listed)	42,4 V
Operating current max.	500 mA
USB specification	2.0
Data transmission rate max.	480 MBit/s
Looking techniques	Snap-in connector

**SUB-D25**

Operating voltage AC	48 V
Operating voltage DC	48 V
Operating voltage AC max. (UL-listed)	30 V
Operating voltage DC max. (UL-listed)	42,4 V
Operating current	3 A
Current operating max. (UL)	175 mA
Family construction form	SUB-D25
Family type Back side	SUB-D25
Gender	female
Gender Rear	male

Looking techniques

Standard UNC 4-40 screw thread bolt (EN 60807)

No. of poles

25