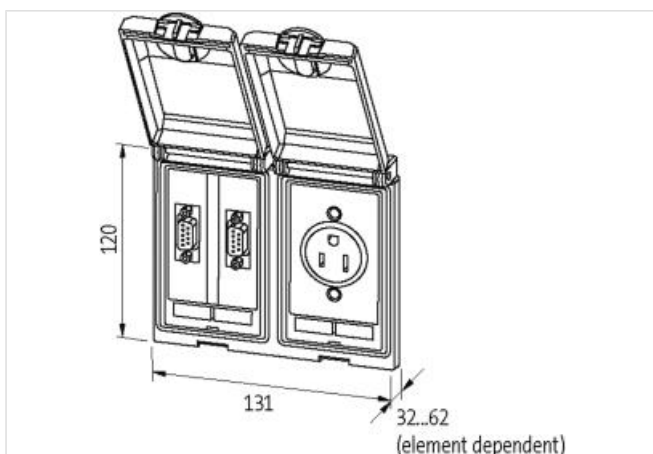


**Modlink MSDD-set: Frame 4000-68122-0000000,**  
insert 4000-68000-0030000 + 4000-68000-0040000

### [Linkki tuotteeseen](#)

#### Kuvat



Tuote voi erota kuvassa olevasta


**Kaupalliset tiedot**

ECLASS-6.0	27189217
ECLASS-6.1	27189217
ECLASS-7.0	27189217
ECLASS-8.0	27189217
ECLASS-9.0	27189217
ECLASS-10.1	27182806
ECLASS-11.1	27182806
ECLASS-12.0	27182806
ETIM-5.0	EC002625
GTIN	4048879035842
Pakkauskoko	1
Tullinumero	85389099

**Frame**

Degree of protection (EN IEC 60529)	IP65
Operating temperature min.	-10 °C
Operating temperature max.	60 °C
Storage temperature min.	-25 °C
Storage temperature max.	60 °C
Suitable for installation wall thickness min.	1 mm
Suitable for installation wall thickness max.	5 mm
Coating housing	KTL
Material housing	Fine zinc die casting

**USA**

Connection cross section max.	2,5 mm <sup>2</sup>
AWG number max.	14
Operating voltage AC	125 V
Operating current	15 A
Connection	Screw terminals SK
No. of poles	2 + PE
Connections per pole	2
Protection contact present	yes