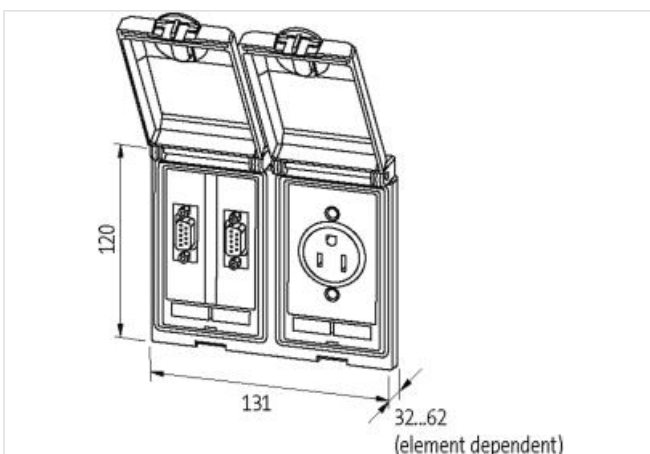


**Modlink MSDD-set: Frame 4000-68122-0000000,**

insert 4000-68000-0010000 + 4000-68000-1120000

## Linkki tuotteeseen

### Kuvat



Tuote voi erota kuvassa olevasta



#### Kaupalliset tiedot

|             |               |
|-------------|---------------|
| ECLASS-6.0  | 27189217      |
| ECLASS-6.1  | 27189217      |
| ECLASS-7.0  | 27189217      |
| ECLASS-8.0  | 27189217      |
| ECLASS-9.0  | 27189217      |
| ECLASS-10.1 | 27182806      |
| ECLASS-11.1 | 27182806      |
| ECLASS-12.0 | 27182806      |
| ETIM-5.0    | EC002625      |
| GTIN        | 4048879035897 |
| Pakkauskoko | 1             |
| Tullinumero | 85366990      |

#### Frame

|   |                       |
|---|-----------------------|
| Degree of protection (EN IEC 60529)           | IP65                  |
| Operating temperature min.                    | -10 °C                |
| Operating temperature max.                    | 60 °C                 |
| Storage temperature min.                      | -25 °C                |
| Storage temperature max.                      | 60 °C                 |
| Suitable for installation wall thickness min. | 1 mm                  |
| Suitable for installation wall thickness max. | 5 mm                  |
| Coating housing                               | KTL                   |
| Material housing                              | Fine zinc die casting |

#### Shielding plate

|                        |                  |
|------------------------|------------------|
| Connection information | Threaded hole M4 |
| Tightening torque      | 0,9 Nm           |

#### Germany (VDE)

|                               |                    |
|-------------------------------|--------------------|
| Connection cross section max. | 6 mm <sup>2</sup>  |
| AWG number max.               | 10                 |
| Operating voltage AC          | 250 V              |
| Operating current             | 16 A               |
| Status indication LED         | yellow             |
| Connection                    | Screw terminals SK |
| No. of poles                  | 2 + PE             |
| Connections per pole          | 2                  |
| Protection contact present    | yes                |

#### SUB-D9

|                                       |        |
|---------------------------------------|--------|
| Operating voltage AC                  | 48 V   |
| Operating voltage DC                  | 48 V   |
| Operating voltage AC max. (UL-listed) | 30 V   |
| Operating voltage DC max. (UL-listed) | 42,4 V |
| Operating current                     | 3 A    |
| Current operating max. (UL)           | 175 mA |
| Family construction form              | SUB-D9 |
| Family type Back side                 | SUB-D9 |
| Gender                                | female |
| Gender Rear                           | female |

|                                       |  |
|---------------------------------------|--|
| Looking techniques                    | Standard UNC 4-40 screw thread bolt (EN 60807) |
| No. of poles                          | 9  |
| <b>RJ12</b>                           |  |
| Operating voltage AC max.             | 48 V   |
| Operating voltage DC max.             | 48 V   |
| Operating voltage AC max. (UL-listed) | 30 V   |
| Operating voltage DC max. (UL-listed) | 42,4 V   |
| Operating current max.                | 1 A  |
| Current operating max. (UL)           | 175 mA   |
| Family construction form              | RJ12   |
| Family type Back side                 | RJ12   |
| Looking techniques                    | Snap-in connector                              |
| <b>RJ45</b>                           |  |
| Operating voltage AC max. (UL-listed) | 30 V   |
| Operating voltage DC max. (UL-listed) | 42,4 V   |
| Current operating max. (UL)           | 175 mA   |
| Family construction form              | RJ45   |
| Family type Back side                 | RJ45   |
| Cable category min.                   | Cat5e  |
| Looking techniques                    | Snap-in connector                              |