

## Cube67 Valve-Interface, I/O Extension Module

DO16, Metal Work HDM, Sub-D 25 pol., 0,6m

Expansion module

DO16 - Valve (E) 0.6 m

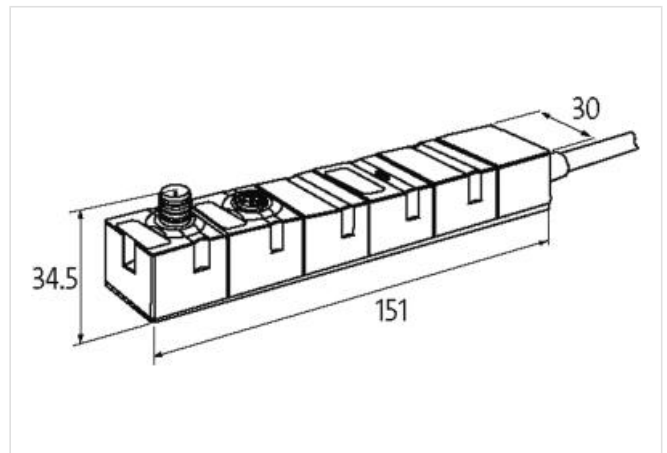
HDM (SUB-D25)

Connection cables are in the online shop under "Connection Technology".

Housing fully potted.

### Linkki tuotteeseen

#### Kuvat



Tuote voi erota kuvassa olevasta



#### Kaupalliset tiedot

|             |               |
|-------------|---------------|
| ECLASS-6.0  | 27242604      |
| ECLASS-6.1  | 27242604      |
| ECLASS-7.0  | 27242604      |
| ECLASS-8.0  | 27242604      |
| ECLASS-9.0  | 27242604      |
| ECLASS-10.1 | 27242604      |
| ECLASS-11.1 | 27242604      |
| ECLASS-12.0 | 27242604      |
| ETIM-5.0    | EC001599      |
| GTIN        | 4048879045216 |
| Pakkauskoko | 1             |
| Tullinumero | 85389099      |

#### Electrical data | Supply

|                          |            |
|--------------------------|------------|
| Norm operating voltage   | EN 61131-2 |
| Operating voltage UA DC  | 24 V       |
| Current consumption max. | 50 mA      |
| Total current UA max.    | 4 A        |
| Total current US max.    | 4 A        |

#### Electrical data | Output

Tämän tietolomakkeen tiedot on laadittu suurimmalla mahdollisella huolellisuudella.

Vahingonkorvausvastuu koskien tietojen oikeellisuutta, laajuutta ja ajankohtaisuutta kattaa ainoastaan törkeän laiminlyönnin. Versio: 26.06.2024

Murrelektronik Power Oy | Jussilankatu 6 | 15680 Lahti | Fon +358 20 7789810 | Fax +358 20 7789811 | shop@murrelektronik.fi | shop.murrelektronik.fi

|                             |        |
|-----------------------------|--------|
| Overload resistant          | yes    |
| Short-circuit protected     | yes    |
| Output current per pin max. | 0,05 A |

#### Diagnostics

|                         |                                  |
|-------------------------|----------------------------------|
| Actuator warning        | per channel via BUS              |
| Diagnostic              | No voltage, Under voltage        |
| Diagnostic via BUS      | per module and channel           |
| Diagnostic via LED      | per module                       |
| Short circuit diagnosis | yes                              |
| LED display             | Ethernet connection/data traffic |
| Overload diagnosis      | yes                              |

#### Device protection | Electrical

|                                     |      |
|-------------------------------------|------|
| Degree of protection (EN IEC 60529) | IP67 |
|-------------------------------------|------|

#### Mechanical data | Mounting data

|                            |                       |
|----------------------------|-----------------------|
| Suitable for mounting type | 2-hole screw mounting |
| Height                     | 150 mm                |
| Width                      | 30 mm                 |
| Depth                      | 34,5 mm               |

#### Environmental characteristics | Climatic

|                            |        |
|----------------------------|--------|
| Operating temperature min. | 0 °C   |
| Operating temperature max. | 55 °C  |
| Storage temperature min.   | -20 °C |
| Storage temperature max.   | 75 °C  |

#### Connection type 3

|                          |              |
|--------------------------|--------------|
| Connection type 1        | Bus In       |
| Connection type 2        | Bus Out      |
| Connection type 3        | Data         |
| Family construction form | M12          |
| Gender                   | male         |
| Color contact carrier    | black        |
| Coding                   | A            |
| No. of poles             | 6            |
| PIN 1                    | 24 V DC (UA) |
| PIN 2                    | 24 V DC (US) |
| PIN 3                    | 0 V          |
| PIN 4                    | Bus internal |
| PIN 5                    | Bus internal |
| PIN 6                    | 0 V          |
| Family construction form | M12          |
| Gender                   | female       |
| Color contact carrier    | black        |
| Coding                   | A            |
| No. of poles             | 6            |
| PIN 1                    | 24 V DC (UA) |
| PIN 2                    | 24 V DC (US) |
| PIN 3                    | 0 V          |
| PIN 4                    | Bus internal |
| PIN 5                    | Bus internal |
| PIN 6                    | 0 V          |
| Family construction form | D-Sub        |
| Gender                   | male         |
| No. of poles             | 25           |

|        |        |
|--------|--------|
| PIN 1  | Out 1  |
| PIN 2  | Out 2  |
| PIN 3  | Out 3  |
| PIN 4  | Out 4  |
| PIN 5  | Out 5  |
| PIN 6  | Out 6  |
| PIN 7  | Out 7  |
| PIN 8  | Out 8  |
| PIN 9  | Out 9  |
| PIN 10 | Out 10 |
| PIN 11 | Out 11 |
| PIN 12 | Out 12 |
| PIN 13 | Out 13 |
| PIN 14 | Out 14 |
| PIN 15 | Out 15 |
| PIN 16 | Out 16 |
| PIN 25 | 0 V    |