

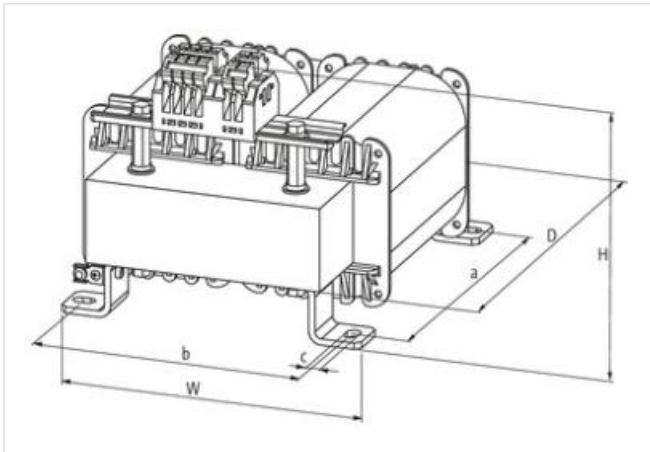
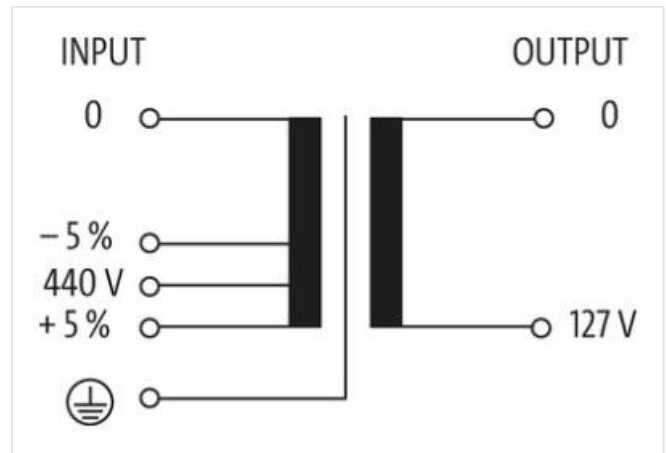
MET SINGLE-PHASE CONTROL AND ISOLATION TRANSFORMER

P:1000VA IN:440VAC±5% OUT:127VAC

Single-phase - Control and Isolation Transformers
1000 VA
Isolation class T 60/B

[Linkki tuotteeseen](#)

Kuvat



Tuote voi erota kuvassa olevasta



Kaupalliset tiedot

ECLASS-6.0	27031202
ECLASS-6.1	27031302
ECLASS-7.0	27031302
ECLASS-8.0	27031302
ECLASS-9.0	27031302
ECLASS-10.1	27031302

ECLASS-11.1	27031302
ECLASS-12.0	27031302
ETIM-5.0	EC002485
GTIN	4048879335096
Pakkauskoko	1
Tullinumero	85043180

Electrical data | Supply

Power frequency	50 ... 60 Hz
-----------------	--------------

Electrical data | Input

Input voltage AC	440 V
Input voltage AC min.	418 V
Input voltage AC max.	462 V
Current input AC	2,43 A
Max. inrush current	45 A
Short-circuit current	100 A

Electrical data | Output

Output voltage AC	127 V
Output voltage adjustable	no
Power rating AC max.	1000 VA

Device protection | Electrical

Insulation test voltage input - output	5,9 kV
--	--------

Mechanical data | Mounting data

Suitable for mounting type	Long-hole mounting
Mounting dimension a	111,5 mm
Mounting dimension b	135 mm
Mounting dimension c	7 mm
Height	137 mm
Width	174 mm
Depth	165 mm
Diameter bore	7 mm
Length bore	16 mm

Environmental characteristics | Climatic

Operating temperature min.	-20 °C
Operating temperature max.	60 °C
Storage temperature min.	-40 °C
Storage temperature max.	80 °C

Conformity

Product standard	EN 61558-2-6, EN 62041 category 0
------------------	-----------------------------------