

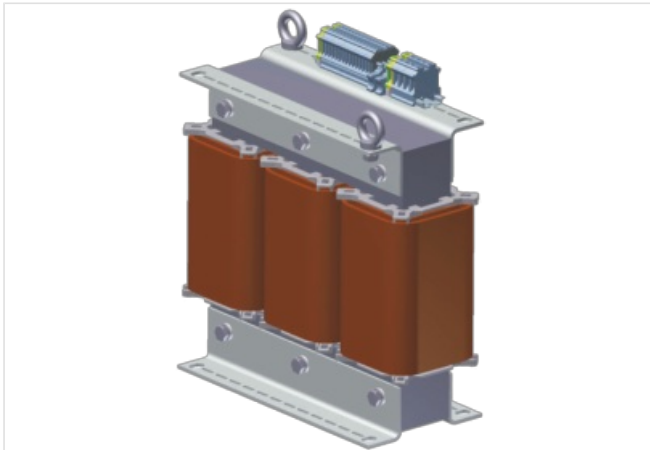
## MDT three-phase control and isolation transformer

P:21000VA IN:3x400VAC±5% OUT:3x400VAC

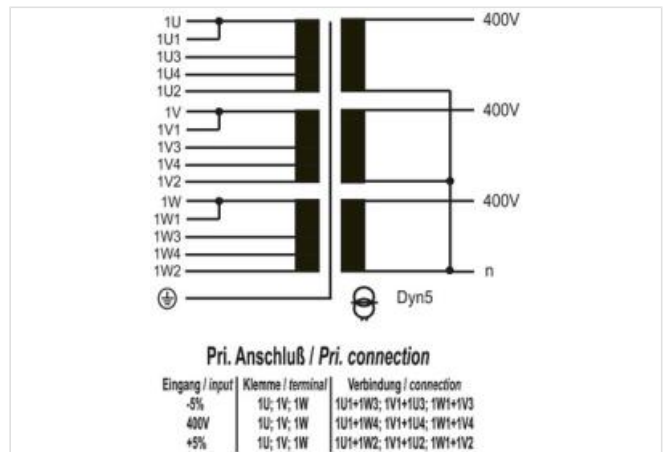
3-phase isolation transformer  
21 000 VA  
Isolation class T 40/H  
Other voltages on request.

### Link to Product

#### Illustration



Product may differ from Image



#### Commercial data

ECLASS-6.0	27031301
ECLASS-6.1	27031301
ECLASS-7.0	27031301
ECLASS-8.0	27031301
ECLASS-9.0	27031301
ECLASS-10.1	27031301
ECLASS-11.1	27031301
ECLASS-12.0	27031301
ETIM-5.0	EC002485
customs tariff number	85043300
GTIN	4048879593366
Packaging unit	1

#### Electrical data | Supply

Power frequency	50 ... 60 Hz
-----------------	--------------

#### Electrical data | Input

Input voltage AC	400 V
Input voltage AC min.	380 V
Input voltage AC max.	420 V
Input current AC (3-phase)	31,7 A
Max. inrush current	665,7 A

Short-circuit current	749 A
Phase number input	3
<b>Electrical data   Output</b>	
Output voltage	3x 400 V AC
Output voltage AC	400 V
Output voltage adjustable	no
Power rating AC max.	21000 VA
<b>Device protection   Electrical</b>	
Insulation test voltage input - output	4,5 kV
<b>Mechanical data   Mounting data</b>	
Mounting method	screwed
Mounting dimension a	316 mm
Mounting dimension b	173 mm
Height	460 mm
Width	420 mm
Depth	260 mm
<b>Environmental characteristics   Climatic</b>	
Operating temperature min.	-20 °C
Operating temperature max.	40 °C
Storage temperature min.	-40 °C
Storage temperature max.	80 °C