

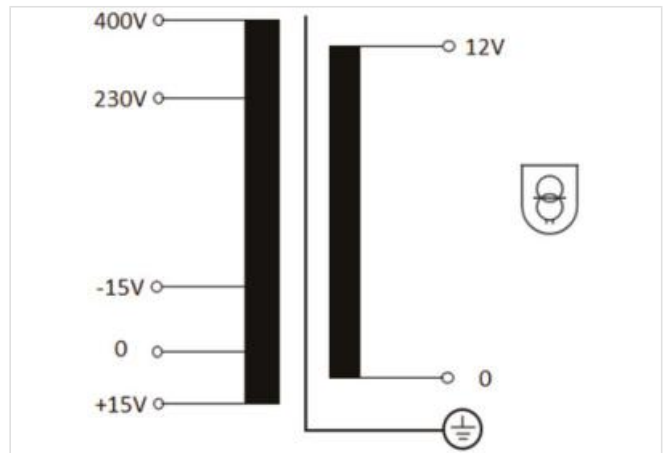
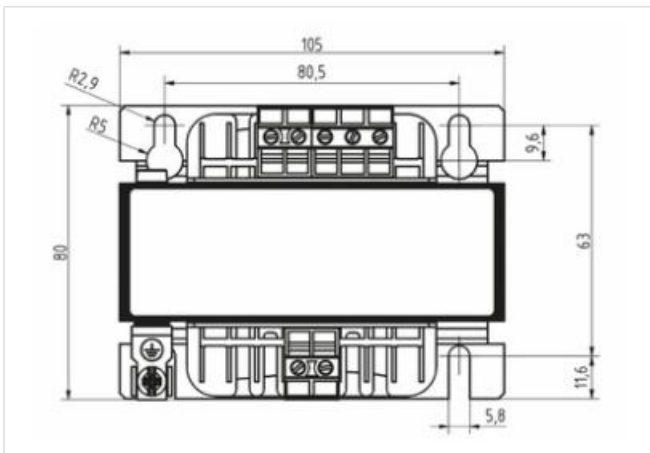
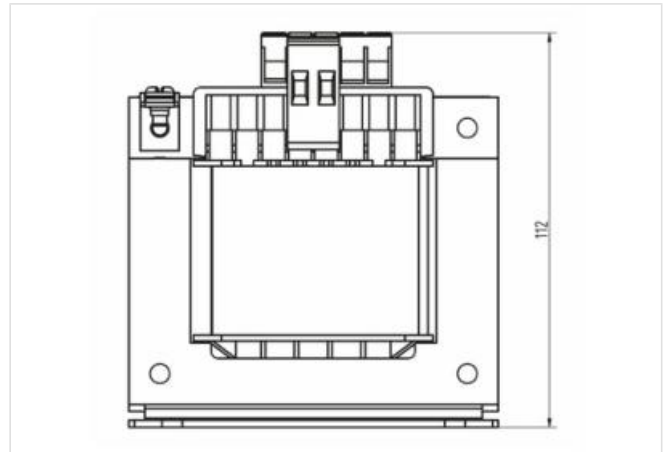
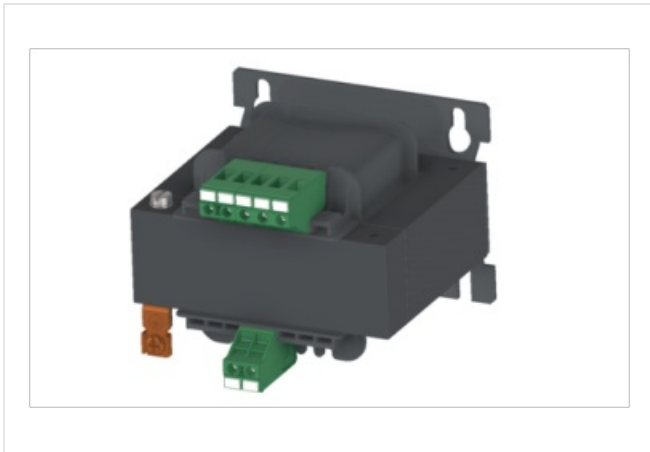
## MET 1-Phase safety and isolating transformer

P: 160VA IN: 230-400VAC +/- 15VAC OUT: 12VAC

The MET series comprises single-phase control transformers/isolating transformers of the protection class I and protection degree IP00 with double insulation between the primary and secondary windings for general use in industrial applications.

### [Link to Product](#)

#### Illustration



Product may differ from Image



#### Electrical data | Supply

Power frequency 50/60 Hz

#### Electrical data | Input

Input voltage 1 AC 230 V

Input voltage 2 AC 400 V

Input current at input voltage 1 AC 0,79 A

Input current at input voltage 2 AC 0,45 A

Inrush current at input voltage 1	15,3 A
Inrush current at input voltage 2	8,8 A
Short-circuit current at input voltage 1	12,9 A
Short-circuit current at input voltage 2	7,4 A

#### Electrical data | Output

Output voltage AC	12 V
-------------------	------

#### Mechanical data | Mounting data

Mounting method	screwed
Suitable for mounting type	Schlüssellochauhängung
Mounting dimension a	63 mm
Mounting dimension b	80,5 mm
Mounting dimension c	2,9 mm
Height	80 mm
Width	105 mm
Depth	112 mm
Diameter bore	2,9 mm
Length bore	9,6 mm

#### Environmental characteristics | Climatic

Ambient temperature min.	-20 °C
Ambient temperature max.	50 °C
Storage temperature min.	-30 °C
Storage temperature max.	80 °C

#### Conformity

Product standard	EN 61558-1, EN 61558-2-6, EN 62041
EMC	2014/30/EU

#### Commercial data

customs tariff number	85043180
GTIN	4065909079218
Packaging unit	1