

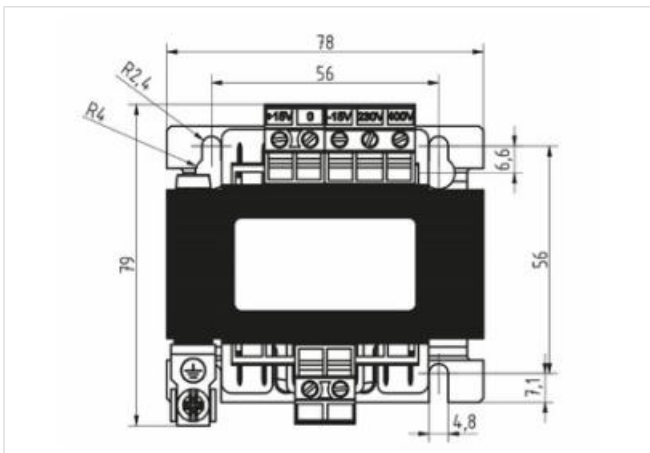
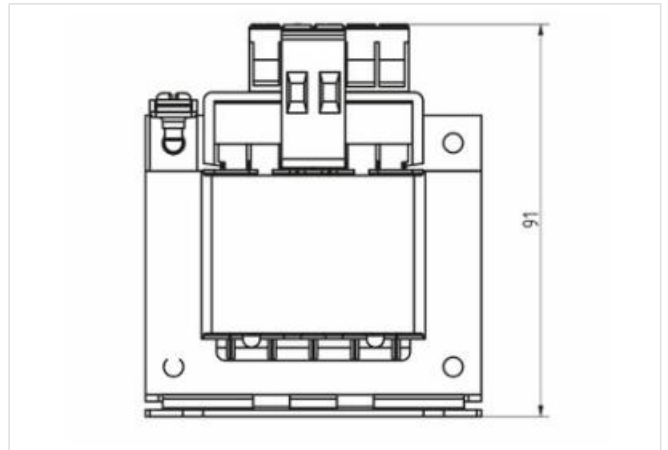
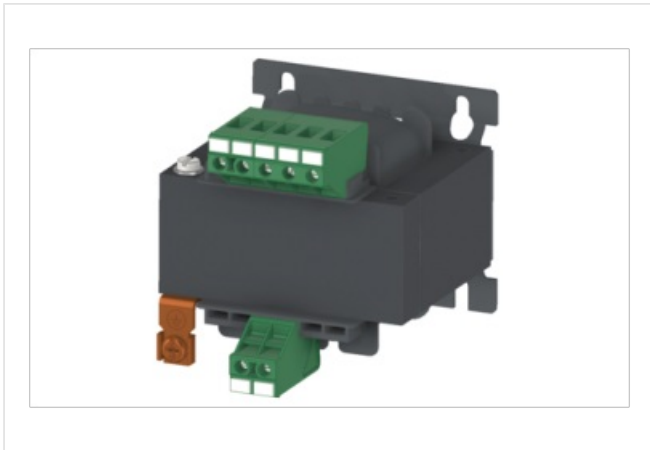
MET 1-Phase safety and isolating transformer

P: 63VA IN: 230-400VAC +/- 15VAC OUT: 12VAC

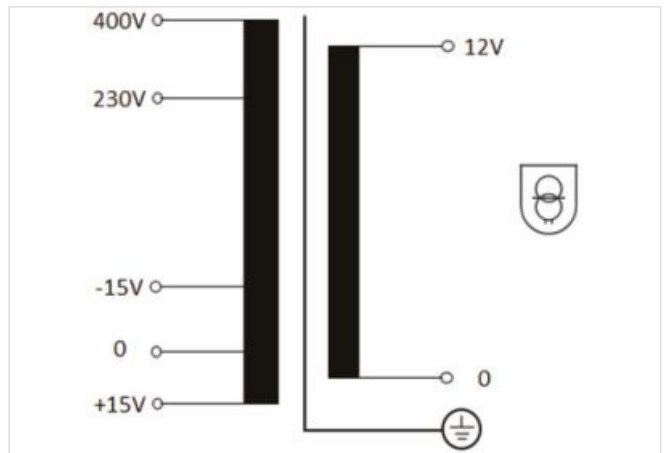
The MET series comprises single-phase control transformers/isolating transformers of the protection class I and protection degree IP00 with double insulation between the primary and secondary windings for general use in industrial applications.

[Link to Product](#)

Illustration



Product may differ from Image



Electrical data | Supply

Power frequency 50/60 Hz

Electrical data | Input

Input voltage 1 AC 230 V

Input voltage 2 AC 400 V

Input current at input voltage 1 AC 0,34 A

Input current at input voltage 2 AC 0,2 A

Inrush current at input voltage 1	6,1 A
Inrush current at input voltage 2	3,5 A
Short-circuit current at input voltage 1	4 A
Short-circuit current at input voltage 2	2,3 A

Electrical data | Output

Output voltage AC	12 V
-------------------	------

Mechanical data | Mounting data

Mounting method	screwed
Suitable for mounting type	Schlüssellochauhängung
Mounting dimension a	56 mm
Mounting dimension b	56 mm
Mounting dimension c	2,4 mm
Height	79 mm
Width	78 mm
Depth	91 mm
Diameter bore	2,4 mm
Length bore	6,6 mm

Environmental characteristics | Climatic

Ambient temperature min.	-20 °C
Ambient temperature max.	50 °C
Storage temperature min.	-30 °C
Storage temperature max.	80 °C

Conformity

Product standard	EN 61558-1, EN 61558-2-6, EN 62041
EMC	2014/30/EU

Commercial data

customs tariff number	85043180
GTIN	4065909079096
Packaging unit	1