

Gateway Ethernet-IP/AS-i, 1 Master, P24

Spec. 3.0, Diagnosis Field bus, Power 24

AS-Interface/EtherNet/IP

Power 24V

Specification 3.0

Diagnostic via BUS

Current manuals, GSD/type data can be downloaded at: www.murrelektronik.com

Other gateways on request.

Gateway-Singlemaster

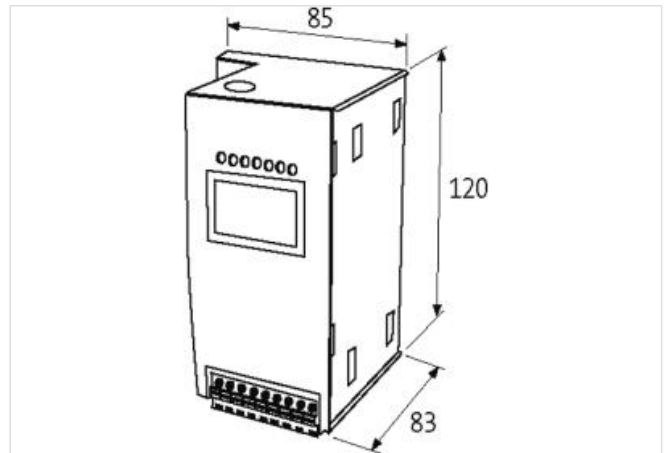
AS-Interface data decoupling integrated

AS-Interface duplicate address detection

AS-Interface EMC detector integrated

[Linkki tuotteeseen](#)

Kuvat



Tuote voi erota kuvassa olevasta



Kaupalliset tiedot

ECLASS-6.0	27242208
ECLASS-6.1	27242608
ECLASS-7.0	27242608
ECLASS-8.0	27242608
ECLASS-9.0	27242608
ECLASS-10.1	27242608
ECLASS-11.1	27242608
ECLASS-12.0	27242608
ETIM-5.0	EC001604
GTIN	4048879496674
Pakkauskoko	1
Tullinumero	85176200

Electrical data

Rated operating current AS-Interface max.	250 mA
Security level	PELV

Tämän tietolomakkeen tiedot on laadittu suurimmalla mahdollisella huolellisuudella.

Vahingonkorvausvastuu koskien tietojen oikeellisuutta, laajuutta ja ajankohtaisuutta kattaa ainoastaan törkeän laiminlyönnin. Versio: 26.06.2024

Murrelektronik Power Oy | Jussilankatu 6 | 15680 Lahti | Fon +358 20 7789810 | Fax +358 20 7789811 | shop@murrelektronik.fi | shop.murrelektronik.fi

Electrical data Supply	
Operating voltage DC	24 V
Operating voltage DC min.	20 V
Operating voltage DC max.	30,6 V
Industrial communication	
Supported protocol	EtherNet/IP
Industrial communication AS-Interface	
AS-i specification	V3.0
Number of slaves max.	62
Diagnostic interface serial	RJ45/Fieldbus
Cycle time AS-i	150 μ s \times (number of slaves + 2)
Installation Connection	
Family construction form	RJ45
Device protection Electrical	
Degree of protection (EN IEC 60529)	IP20
Rated insulation voltage	500 V
Mechanical data Mounting data	
Mounting method	geschnappt
Suitable for mounting type	mounting rail, (EN 60715)
Height	120 mm
Width	85 mm
Depth	83 mm
Environmental characteristics Climatic	
Operating temperature min.	0 °C
Operating temperature max.	55 °C
Storage temperature min.	-25 °C
Storage temperature max.	85 °C
Conformity	
Product standard	EN 61131-2, EN 60206-2