

SIEMENS CONTACTOR SUPPRESSOR

Varistor, 230VAC/DC

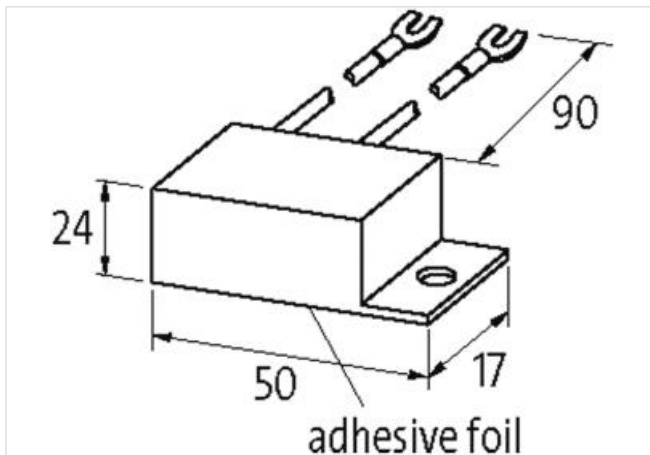
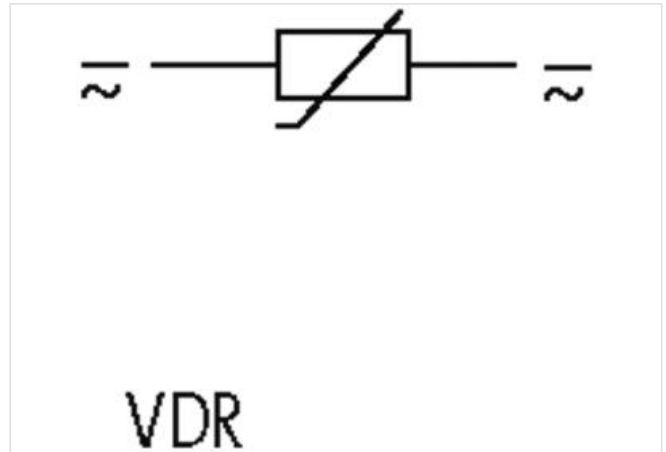
230 V AC/DC

VDR

For other configurations and voltages, please inquire.

[Linkki tuotteeseen](#)

Kuvat



Tuote voi erota kuvassa olevasta

Kaupalliset tiedot

ECLASS-6.0	27371013
ECLASS-6.1	27371013
ECLASS-7.0	27371013
ECLASS-8.0	27371013
ECLASS-9.0	27371013
ECLASS-10.1	27371013
ECLASS-11.1	27371013
ECLASS-12.0	27371013
ETIM-5.0	EC002498
GTIN	4048879017237
Pakkauskoko	1

Tullinumero 85363010

Compatibility | Compatible with

Appropriate contactors 3 TF 46...50; 3 TB 48...56; 3 TC 48...56

Electrical data

Damping factor 1.5× UN

Electrical data | Input

Input voltage AC min. 110 V

Input voltage AC max. 253 V

Input voltage DC min. 110 V

Input voltage DC max. 253 V

Installation | Connection

Connection information self-securing cable forks

Device protection | Media

Flame resistance flame retardant

Mechanical data | Material data

Combustibility class housing (UL94) V-0

Material housing Plastic

Mechanical data | Mounting data

Height 24 mm

Width 50 mm

Depth 17 mm

Environmental characteristics | Climatic

Operating temperature min. -20 °C

Operating temperature max. 70 °C